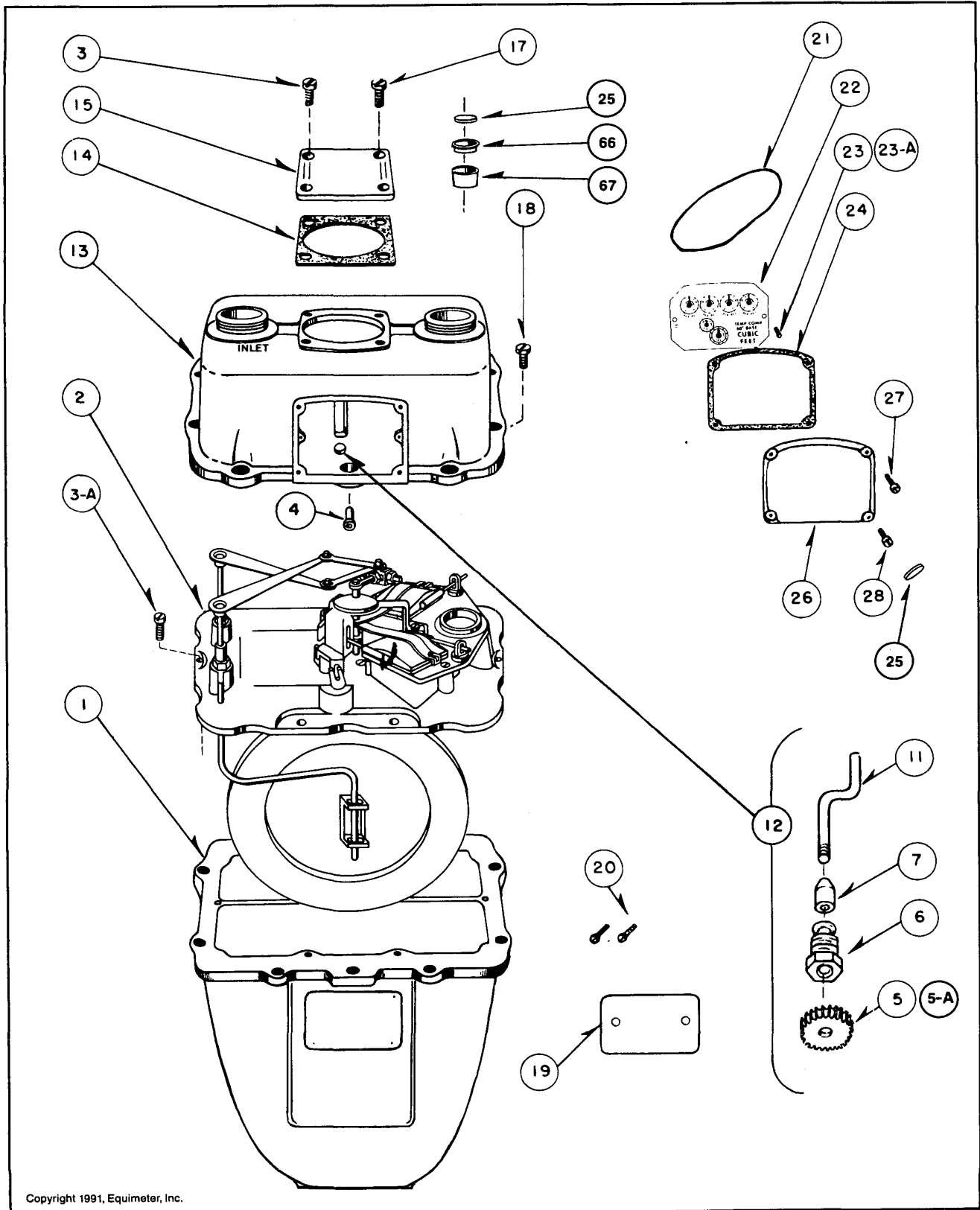
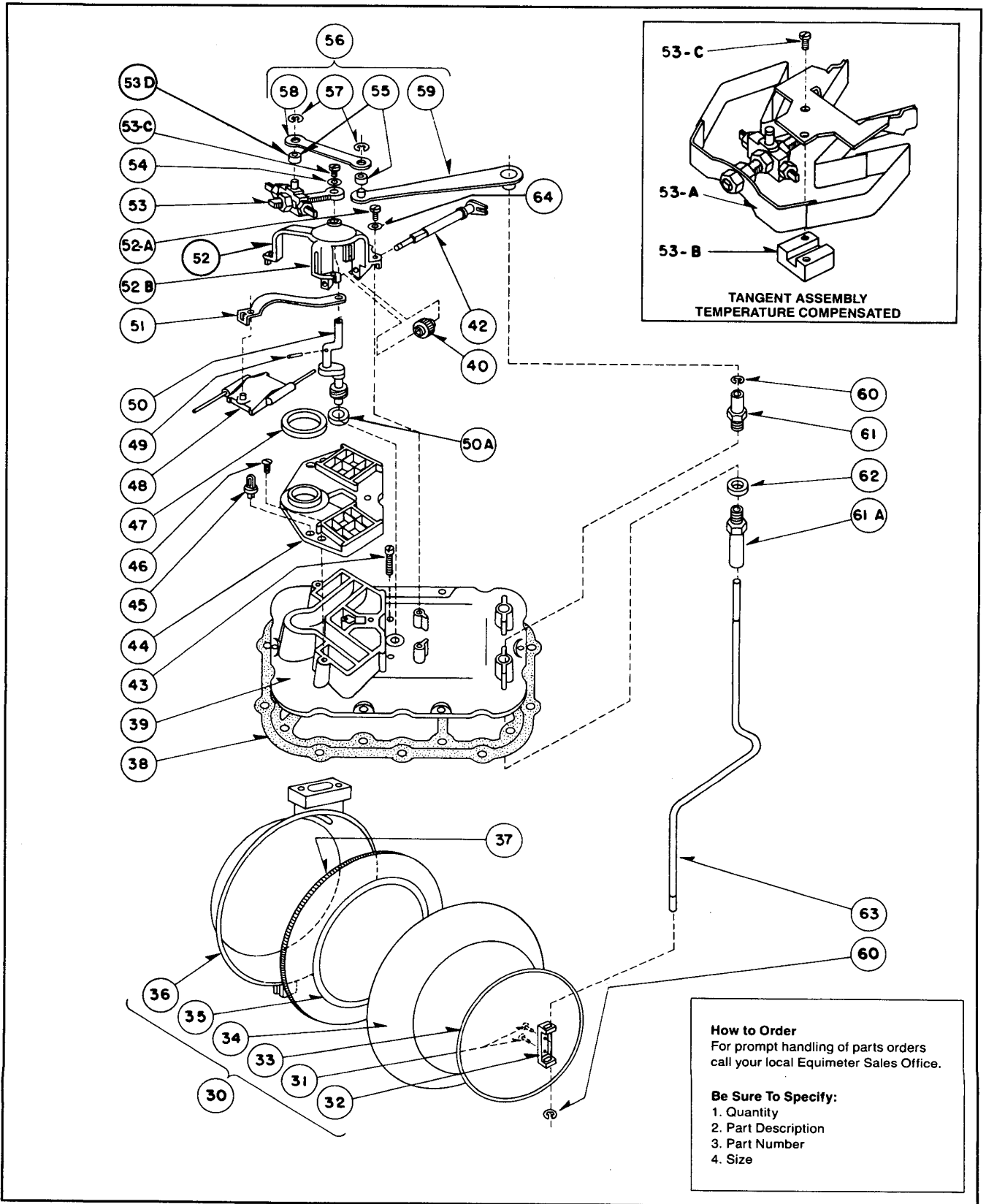




Parts List
Models RC-230, RCM-230
Residential Gas Meters

Parts List
MODELS RC-230, RCM-230
Residential Gas Meters





Model RC-230 Residential Gas Meter—RCM-230 Metric Parts List (See Back Cover)

ILLUSTRATION NUMBER	PIECES PER PACKAGE	DESCRIPTION	PART NUMBER
1	2	Body, No Drains	001-63-001-29
2	1	Valve Plate Assembly, Uncalibrated, Standard, Cubic Feet	001-63-502-54
		Valve Plate Assembly, Uncalibrated, Temperature Compensated, Cubic Feet	001-63-502-55
3	100	Hand Hole Plate Screws (#10-24 x 9/16")	950325
3A		Valve Plate Screws (#10-24 x 7/16")	950652
4	10	Cover Index Shaft Bushing	001-60-052-62
5	25	Index Shaft Gear (11 Teeth for 2 Ft. Index)	001-63-086-03
5A	25	Index Shaft Gear (24 Teeth for 1 Ft. Index)	001-63-086-05
6	100	Index Shaft Gland	001-63-023-00
7	100	Index Shaft Box Seal (Synthetic)	001-63-350-01
11	25	Stuffing Box Shaft	001-63-054-05
	1 lb.	Shaft Box Lubricant	950505
12		Stuffing Box Assembly (24 T. Gear for 1 Ft. Index)	001-63-423-25
		Stuffing Box Assembly (11 T. Gear for 2 Ft. Index)	001-63-423-22
*13	5	Cover Assembly (1 1/4 Spuds, 24 T. Gear for 1 Ft. Index)	001-63-203-78
		Cover Assembly (1A Sprague, 24 T. Gear for 1 Ft. Index)	001-63-203-79
		Cover Assembly (30 Lt. Spuds, 11 T. Gear for 2 Ft. Index)	001-63-203-61
		Cover Assembly (1 1/4" Spuds, 11 T. Gear for 2 Ft. Index)	001-63-203-62
		Cover Assembly (20 Lt. Spuds, 11 T. Gear for 2 Ft. Index)	001-63-203-63
		Cover Assembly (*2 Sprague, 11 T. Gear for 2 Ft. Index)	001-63-203-66
		Cover Assembly (10 Lt. Spuds, 11 T. Gear for 2 Ft. Index)	001-63-203-64
		Cover Assembly (1A Sprague, 11 T. Gear for 2 Ft. Index)	001-63-203-65
		Cover Assembly (30 Lt., 24 T. Gear for 1 Ft. Index)	001-63-203-81
		Cover Assembly (20 Lt., 24 T. Gear for 1 Ft. Index)	001-63-203-80
		Cover Assembly (10 Lt., 24 T. Gear for 1 Ft. Index)	001-63-203-89
14	100	Hand Hole Plate Gasket (Cork Rubber)	001-63-160-50
15	5	Hand Hole Plate	001-60-004-00
17	100	Hand Hole Plate Seal Screw (#10-24 x 9/16" Fillister Head Drilled)	001-60-056-06
18	100	Cover Screws (1/4-20 x 3/4" Fillister Head Machined)	950327
19	100	Customers Nameplate	001-41-030-21
		Manufacturers Nameplate, Standard Ft ³	001-63-033-65
		Manufacturers Nameplate, Temperature Compensated Ft ³	001-63-030-69
20	100	Drive Screws (Nameplate) 2 x 1/8"	903003
21	100	Seal Wire	001-63-057-53
22	10	Index C.R. (2 Ft. and 1/2 Ft. Test Hand), Plastic	001-63-538-05
		Index C.R. (2 Ft. Test Hand), Plastic	001-63-538-10
		Index D.R. (2 Ft. Test Hand)	001-63-538-72
		Index D.R. (1 Ft. Test Hand) (4 Wheel)	001-63-538-66
23	100	Index Mounting Screws (#6-32 x 1/2" Fillister Head) (All Brass Indexes)	919656
23A	100	Index Mounting Screws (#6-32 x 5/8" Fillister Head) (All Plastic Indexes)	919657
23B		Spacer for Brass D.R. Index	001-60-197-61
24	50	Index Box Gasket (Cork Rubber)	001-63-170-02
25	1	Rockseal	001-63-056-05
26	20	Index Box, Molded Lexan	001-63-006-05
27	100	Index Box Seal Screw (#10-24 x 1 1/16" Fillister Head Steel, Drilled)	001-63-056-06
28	100	Index Box Screw (#10-24 x 1 1/16" Fillister Head Steel)	950525
30	1 Set	Diaphragm Assembly Right Hand (Synthetic) Standard	001-63-550-72
		Diaphragm Assembly Left Hand (Synthetic) Standard	001-63-650-72
31	100	Diaphragm Bracket Rivet (.098 x 5/32")	902435
32	10	Diaphragm Bracket	001-63-103-50
33	10	Diaphragm Disc, Outer	001-63-127-00
34	10	Diaphragm Fabric (Synthetic) Standard	001-63-150-71
35	10	Diaphragm Disc, Inner	001-63-126-00
		Diaphragm and Disc Assembly (Synthetic) Standard	001-63-527-71
36	5	Diaphragm Pan Assembly Right Hand	001-63-225-00
		Diaphragm Pan Assembly Left Hand	001-63-425-00
37	10	Diaphragm Clamping Ring	001-63-581-01
38	50	Cover Gasket (Cork Rubber)	001-63-164-50
39	5	Valve Plate (See Valve Plate and Seat Assembly, Item 65)	
40	25	Index Shaft Worm Wheel	001-63-035-01

*Does not include Hand Hole Plate

Model RC-230 Residential Gas Meters

ILLUSTRATION NUMBER	PIECES PER PACKAGE	DESCRIPTION	PART NUMBER
42	25	Index Shaft Only	001-63-054-03
43	100	Diaphragm Screws (#10-24 x 1" Fillister Head Machine With Washer)	001-63-119-00
44	10	Valve Seat (See Valve Plate and Seat Assembly, Item 65)	
45	20	Valve Guide	001-63-114-00
46	100	Valve Seat Screws (#10-24 x 7/16" Type I Cross Recessed Pan Head)	950652
47	100	Exhaust Seal Washer	001-63-134-00
48	10 Sets	Valve Right Hand (Bakelite)	001-63-105-55
		Valve Left Hand (Bakelite)	001-63-305-55
49	100	Crank Drive Screw, Headless (1/16" x 5/16")	1191307
50	10	Crank and Worm Assembly, Standard	001-63-517-50
		Crank and Link Assembly, Standard	001-63-516-69
		Crank and Bracket Assembly, Standard	001-63-504-60
		Crank and Worm Assembly, Temperature Compensated	001-63-517-51
		Crank and Link Assembly, Temperature Compensated	001-63-516-70
		Crank and Bracket Assembly, Temperature Compensated	001-63-504-61
50A	50	Crank Bushing (Powdered Iron)	001-60-065-03
51	10	Valve Link	001-63-022-51
52	10	Crank Bracket and Index Shaft Assembly (Includes 40, 42, 52B)	001-63-404-50
52A	100	Crank Bracket Screw (#8-32 x 7/16" Fillister Head Machine)	919704
52B		Crank Bracket	001-63-104-50
53	10	Tangent Assembly, Standard (Includes 53D, 57)	001-61-513-22
53A	10	Tangent Assembly, Temperature Compensated (Includes 53B, 53C, 53D, 57)	001-63-513-08
	25	Tangent Arm, Standard	001-63-013-02
		Tangent Arm, Temperature Compensated	001-63-013-00
53B	10	Tangent Mounting Block, Temperature Compensated	001-63-294-01
53C	100	Tangent Mounting Block Screws, Temperature Compensated (#3-56 x 3/16" Binder Head, Stainless Steel)	950433
	25	Tangent Post, Standard and Temperature Compensated	001-63-045-03
		Tangent Lock Nut	001-61-266-00
		Tangent Locknut, Thin	001-63-266-0300
		Tangent Adjusting Screw	001-63-046-00
53D		Bushing	001-63-048-01
54	100	Washer Brass	001-61-062-01
55	100	Tangent Post and Flag Link Collars	001-60-061-05
56	10 Sets	Flag Arm and Link Assembly Right Hand (Includes 55, 57, 58, 59)	001-63-511-02
		Flag Arm and Link Assembly Left Hand (Includes 55, 57, 58, 59)	001-63-611-02
57	100	Flag Arm Snap Ring (Truarc)	902439
58	50	Tangent Links Nylon	001-63-020-02
59	10 Sets	Flag Arm and Stud Right Hand	001-63-211-00
		Flag Arm and Stud Left Hand	001-63-311-00
60	25	Flag Rod Retaining Clips, Truarc #5133-25ZD	904680
61		Flag Rod Gland (Upper)	001-63-012-01
61A		Flag Rod Gland (Lower)	001-60-012-02
62		Flag Rod Seal (V Seal)	001-63-276-00
63		Flag Right Hand	001-63-142-06
		Flag Left Hand	001-63-342-06
64	100	Crank Bracket Washer (#8 Flat Brass)	950129
65		Valve Plate and Seat Assembly (Includes 39, 44, 46, 50A, 61, 61A, 62)	001-63-602-56
66		Spacer Bushing (Rockseal)	001-63-053-01
67		Snap Cup (Rockseal)	001-63-057-02



Model RCM-230 Residential Gas Meter Metric Parts

ILLUSTRATION NUMBER	PIECES PER PACKAGE	DESCRIPTION	PART NUMBER
2	1	Valve Plate Assembly, Uncalibrated, Standard, M ³	001-63-502-22
		Valve Plate Assembly, Uncalibrated, Temperature Compensated, M ³	001-63-502-23
5	25	Index Shaft Gear (19 T. Gear for M ³ Index)	001-63-086-18
12		Stuffing Box Assembly, (T. Gear for M ³ Index)	001-63-423-26
13	5	Cover Assembly (1¼ Spuds for M ³ Index)	001-63-223-04
		Cover Assembly (1A Sprague, M ³ Index)	001-63-223-03
		Cover Assembly (30 Lt. Spuds, M ³ Index)	001-63-223-01
		Cover Assembly (20 Lt. Spuds, M ³ Index)	001-63-223-00
		Cover Assembly (10 Lt. Spuds, M ³ Index)	001-63-223-02
19	100	Manufacturers Nameplate, Standard, M ³	001-63-030-37
		Manufacturers Nameplate, Temperature Compensated, M ³	001-63-030-47
22	10	Index, Direct Reading (.01-.05 M ³)	001-63-538-99
40	25	Index Shaft Worm Wheel M ³	001-63-035-05
50	10	Crank and Worm Assembly, Standard, M ³	001-63-517-62
		Crank and Worm Assembly, Temperature Compensated, M ³	001-63-517-63
		Crank and Link Assembly, Standard, M ³	001-63-516-65
		Crank and Link Assembly, Temperature Compensated, M ³	001-63-516-66
		Crank and Bracket Assembly, Standard, M ³	001-63-504-68
		Crank and Bracket Assembly, Temperature Compensated, M ³	001-63-504-69
52	10	Crank Bracket and Index Shaft Assembly, M ³	001-63-404-52



805 Liberty Boulevard
 DuBois, PA 15801
 814-375-8875
 Fax 814-375-8460

01-06-10

LIMITED WARRANTY Seller warrants the Goods to be free from defects in materials manufactured by Seller and in Seller's workmanship for a period of [one (1) year] after tender of delivery (the "Warranty Period"). **THIS LIMITED WARRANTY (a) IS IN LIEU OF, AND SELLER DISCLAIMS AND EXCLUDES, ALL OTHER WARRANTIES, STATUTORY, EXPRESS OR IMPLIED, INCLUDING, WITHOUT LIMITATION, ANY WARRANTY OF MERCHANTABILITY OR FITNESS FOR A PARTICULAR PURPOSE, OR OF CONFORMITY TO MODELS OR SAMPLES; (b)** does not apply to any Goods which have been (i) repaired, altered or improperly installed; (ii) subjected to improper use or storage; (iii) used or incorporated with other materials or equipment, after Buyer or anyone using the Goods has, or reasonably should have, knowledge of any defect or nonconformance of the Goods; or (iv) manufactured, fabricated or assembled by anyone other than Seller; (c) shall not be effective unless Buyer notifies Seller in writing of any purported defect or nonconformance within [thirty (30) days] after Buyer discovers or should have reasonably discovered such purported defect or nonconformance; and (d) shall only extend to Buyer and not to any subsequent buyers or users of the Goods. Buyer shall provide Seller access to the Goods as to which Buyer claims a purported defect or nonconformance; upon request by Seller, Buyer shall, at its own risk and expense, promptly return the Goods in question to Seller's Plant.