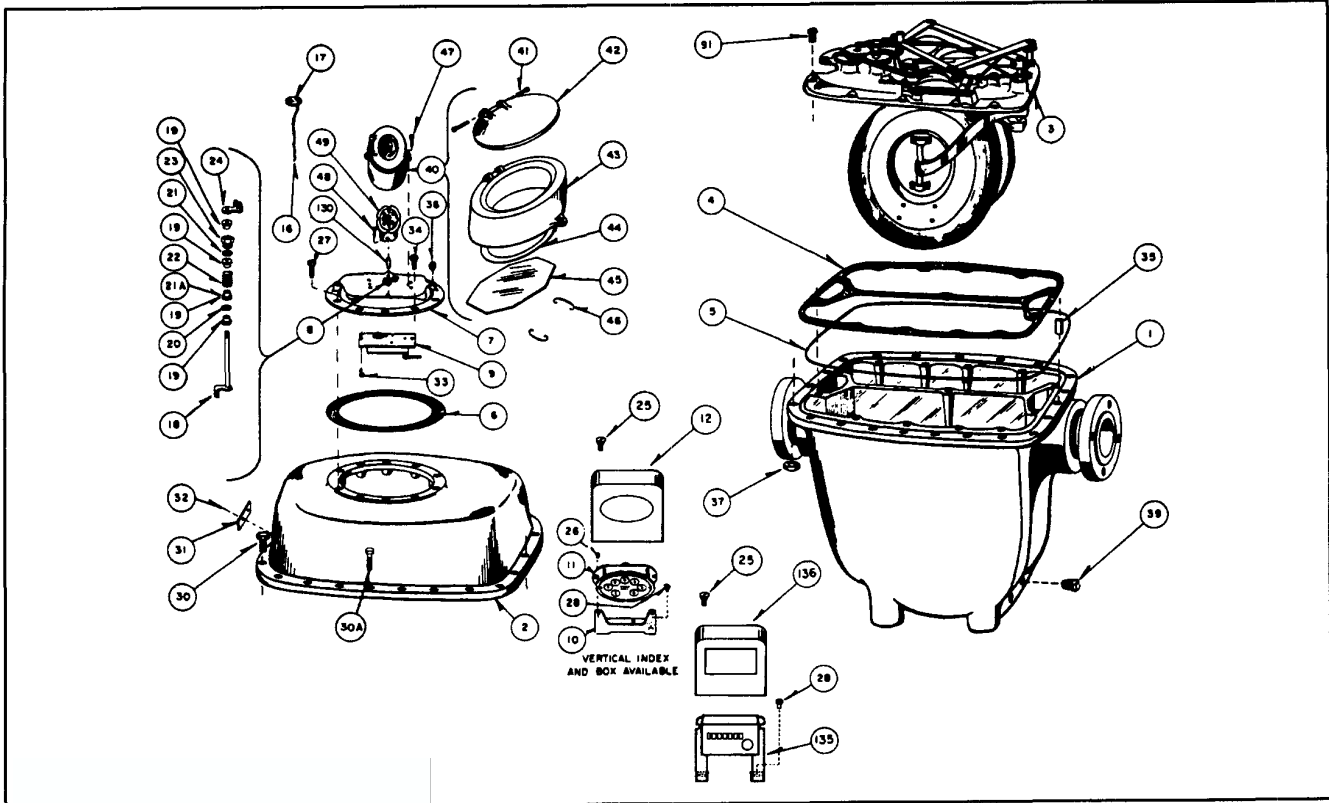




Parts List
Model 3000
Large Capacity Gas Meter

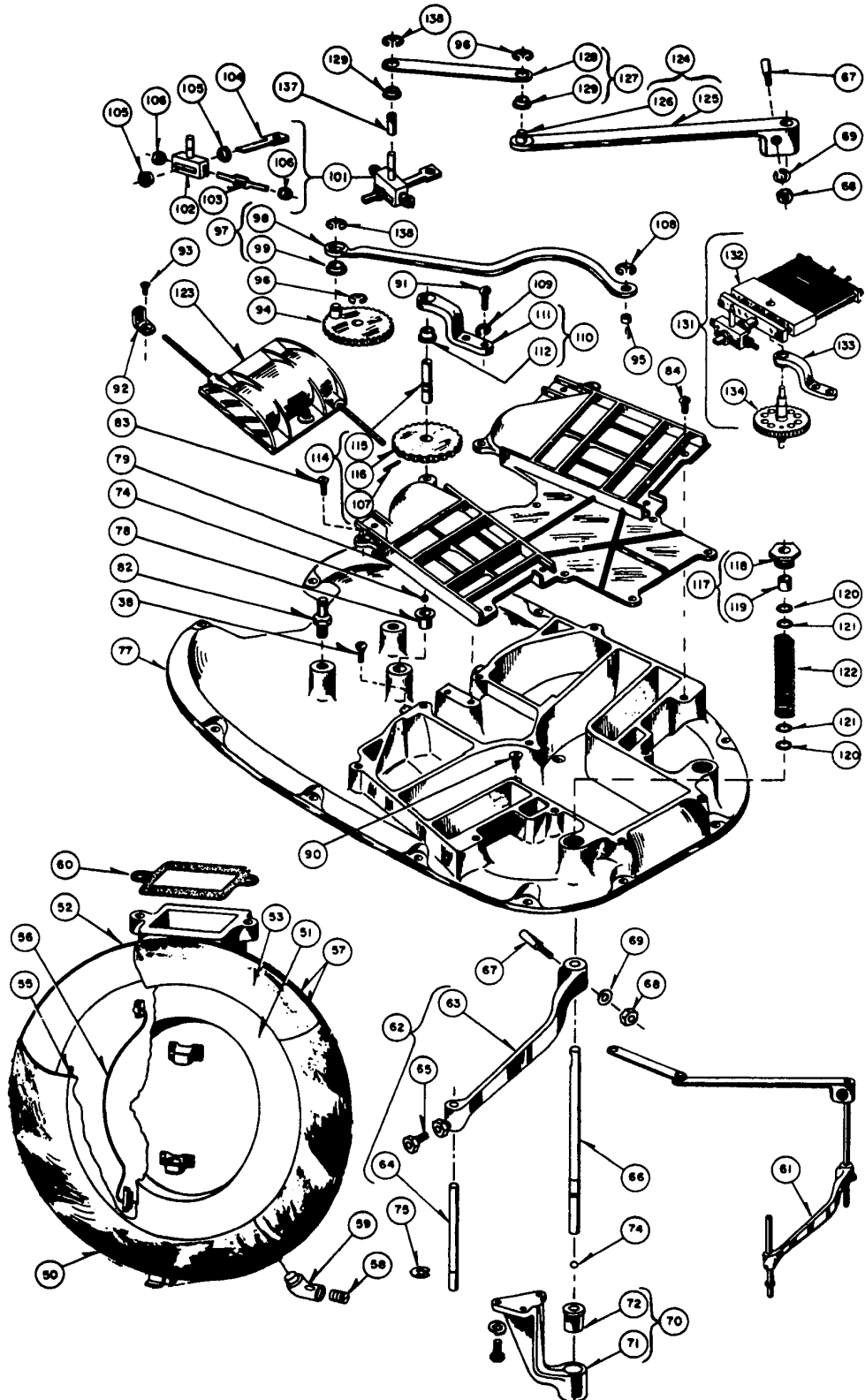
Parts List
MODEL 3000
Large Capacity Gas Meter



Model 3000 Large Capacity Gas Meter

ILLUSTRATION NUMBER	DESCRIPTION	PART NUMBER
1	Body Assembly With 3" Flange Connections	002-20-601-00
	Body Assembly 3" Connections Without Flanges	002-20-601-01
	Body Assembly 2" Connections Without Flanges	002-20-601-02
	Body Assembly With 2" Flange Connections	002-20-601-04
2	Cover Assembly	002-20-503-00
3	Valve Plate Assembly Without Drains (Synthetic) NTC	002-20-502-73
	Valve Plate Assembly With Drains (Synthetic) NTC	002-20-502-71
	Valve Plate Assembly With Drains TC (Synthetic)	002-20-502-72
	Valve Plate Assembly Without Drains TC (Synthetic)	002-20-502-70
4	Valve Plate Gasket	002-20-163-00
5	Cover Gasket "O" Ring	002-20-164-00
6	Index Plate Gasket	002-20-172-00
7	Index Plate and Stuffing Box Assembly	002-20-504-00
	Index Plate Only	002-20-004-00
8	Stuffing Box Assembly Less Index Plate	011-14-423-01
9	Intermediate Gear Assembly (Std. 10' Index)	011-14-412-03
*10	Index Mounting Bracket, Vertical Circular Reading	005-68-118-02
*11	Index Assembly, 10' Vertical Circular Reading, 6 Circles	002-20-537-10
	Index Assembly, 10' Vertical Circular Reading, 5 Circles	002-20-537-72
*12	Vertical Index Box, Circular Reading	011-14-006-10
16	Seal Wire	002-66-057-11
17	Lead Seal	001-60-157-00
18	Index Shaft and Dog Assembly	011-14-554-02

SENSUS





Model 3000 Large Capacity Gas Meter

ILLUSTRATION NUMBER	DESCRIPTION	PART NUMBER
19	Bushing	001-60-052-62
20	Washer - Brass	001-61-062-01
21	"O" Ring	904379
21A	Sealant	950767
22	Spring	001-61-121-00
23	Gland and Bushing Assembly	002-22-323-02
24	Dog	002-66-071-08
*25	Index Box Seal Screw For Equimeter Box	002-20-056-02
	Index Box Seal Screw For For Carolina Molding Box	950053
*26	Index Mounting Screw #8-32 x 3/16" Long Round Head Steel Machine Screw	914450
27	Index Plate Seal Screw	002-65-057-02
*28	Index Bracket Mounting Screw 5/16-18 x 3/8" Long Fillister Head Steel Machine Screw	919900
30	Cover to Body Bolt 3/8-16 x 1 1/4" Hexagonal Head Machine Bolt	910058
30A	Hexagonal Cap Screw 3/8 x 2 1/4" S Gr.5	910060
31	Customers Badge	001-61-028-20
32	Drive Screw #4 x 3/16" Long Round Head Brass	903004
33	Intermediate Gear Mounting Screw #8-32 x 3/8" Long Round Head Steel Machine Screw w/Pre-assembled Lockwasher	903461
34	Index Plate Screw 5/16-18 x 7/8" Hexagonal Head Steel Machine Screw	910029
35	Cover Dowel Pin	002-66-149-00
36	1/4-18 Square Head Steel Pipe Plug	002-66-080-04
37	Nut Cover to Body 1/2-13 Heavy Semi-Finished Hexagonal Steel	920853
38	Valve Plate to Port 1/4-20 x 3/8" Round Head Steel Machine Screw	914604
39	Pipe Plug Drain 3/4-14 Square Head	923054
40	Horizontal Index Box Assembly	002-65-506-12
41	Copper Rivet 5/32 x 7/8" Long Round Head	904145
42	Index Box Cover	002-65-007-08
43	Index Box	002-65-006-09
44	Index Box Glass Gasket	002-65-283-00
45	Index Box Glass	002-65-162-00
46	Index Box Glass Retainer	001-60-008-00
47	Index Box Seal Screw	002-65-056-00
48	Index Mounting Screw #8-32 x 1" Round Head Steel Machine Screw	914459
49	Horizontal Index 10'	002-65-537-00
50	Diaphragm Complete Synthetic Without Drain Right Hand and Left Hand	002-20-550-71
	Diaphragm Complete Synthetic With Drain Right Hand	002-20-550-72
	Diaphragm Complete Synthetic With Drain Left Hand	002-20-650-72
51	Diaphragm Material and Inner Pan Assembly (Synthetic)	002-20-450-71
52	Diaphragm Outer Pan and Port Assembly Without Drain Right Hand and Left Hand	002-20-525-00
	Diaphragm Outer Pan and Port Assembly With Drain Right Hand	002-20-525-01
	Diaphragm Outer Pan and Port Assembly With Drain Left Hand	002-20-625-01
53	Diaphragm Material (Synthetic)	002-65-150-71
55	Diaphragm Binding Wire	951189
56	Diaphragm Guide Wire	002-20-140-00
57	Diaphragm Clamping Band	002-20-581-21
58	Drain Valve	002-66-188-05
59	Drain Valve Body	002-67-090-00
60	Diaphragm Port Gasket	002-20-171-00
61	Flag, Flag Arm and Tangent Link Assembly Right Hand	002-20-541-00
	Flag, Flag Arm and Tangent Link Assembly Left Hand	002-20-641-00
62	Flag and Rocker Shaft Assembly Right Hand	002-20-442-00
	Flag and Rocker Shaft Assembly Left Hand	002-20-542-00
63	Flag Right Hand	002-20-142-00
	Flag Left Hand	002-20-342-00
64	Rocker Shaft Assembly	002-22-247-00
65	Set Screw and Jam Nut	1191325
66	Flag Rod (Right Hand)	002-20-141-00
	Flag Rod (Left Hand)	002-20-341-00
67	Flag Rod Pin	002-67-279-05
68	Hexagonal Steel Jam Nut	1190510

*Vertical Circular Reading Index and Box. Meters with external drains available upon request.



Model 3000 Large Capacity Gas Meter

ILLUSTRATION NUMBER	DESCRIPTION	PART NUMBER
69	SAE Steel Lockwasher	932501
70	Flag Rod Bearing Bracket Assembly	002-20-202-02
71	Flag Rod Bearing Bracket	002-22-102-01
72	Flag Rod Bearing Bracket Bushing Only	002-20-186-02
73	1/4-20 x 3/4" Long Hexagonal Head Steel Machine Screw	910003
74	Stainless Steel Ball 1/4" Diameter	930506
75	Retaining Clip Waldes Truarc #5133-37 ZD	904689
77	Valve Plate Only	002-20-002-00
78	Tangent Gear Post Bushing	002-20-108-02
79	Valve Seat	002-20-106-00
82	Valve Gear Post	011-14-064-02
83	Valve Seat Mounting Screw - 1/4-20 x 5/8" Flat Head Steel Machine Screw	903146
84	Valve Seat to Valve Plate - 1/4-20 x 1/2" Round Head Steel Machine Screw	914603
90	1/4-20 x 5/8" Flat Head Steel Machine Screw	919354
91	1/4-20 x 3/4" Long Round Head Steel Machine Screw (Tangent Bracket) (V.P. to Body)	914605
92	Valve Guide	002-20-069-01
93	Valve Guide #10-24 x 3/8" Long Flat Head Steel Machine Screw	919253
94	Valve Gear and Stud Assembly	002-20-561-00
95	Valve Stud Bushing	002-66-115-04
96	Valve Gear, Post and Tan Link - Retaining Clip Truarc #5133-37 ZD	904681
97	Valve Link Assembly	002-20-522-05
98	Valve Link Only	002-20-022-02
99	Valve Link Bushing Only (Valve Gear End Only)	002-20-114-02
100	Tangent, Post and Gear and Bracket Assembly	002-20-604-12
101	Tangent Assembly	002-20-513-05
102	Tangent Post	002-20-045-03
103	Tangent Post Adjusting Screw	002-65-046-00
104	Tangent Arm	002-20-013-00
105	Tangent Arm Locknut	002-66-015-07
106	Tangent Post Adjusting Screw Locknut	002-66-015-05
107	3/32 Diameter x 3/4" Long #5 Steel Groove Pin	904116
108	Retaining Clip Truarc #5133-18 ZD	904679
109	Lockwasher 1/4" S.A.E. Steel	932525
110	Tangent Post Bracket Assembly	002-20-404-00
111	Tangent Post Bracket	002-20-104-00
112	Tangent Post Bracket Bushing Only	002-20-108-02
114	Tangent Gear and Post Assembly	002-20-461-01
115	Tangent Gear Post	002-20-016-01
116	Tangent Gear	002-20-061-15
117	Flag Rod Packing Gland Assembly	002-66-512-02
118	Flag Rod Packing Gland Only	002-66-012-04
119	Flag Rod Packing Gland Bushing Only	002-66-026-03
120	Flag Rod Seal Washer	002-66-180-01
121	Flag Rod Gland Spring Washer	002-66-049-07
122	Flag Rod Gland Spring	002-67-021-00
123	Right Hand Valve Assembly	002-20-505-26
	Left Hand Valve Assembly	002-20-605-26
124	Flag Arm and Stud Assembly	002-20-211-01
125	Flag Arm	002-20-011-01
126	Flag Arm Stud Only	002-20-051-01
127	Tangent Link Assembly	002-20-520-00
128	Tangent Link	002-20-020-00
129	Tangent Link Bushing	002-20-117-02
130	Horizontal Index Spacing Sleeve	002-67-197-04
131	Temperature Compensated Tangent Assembly Complete	002-20-604-20
132	Temperature Compensated Tangent	002-20-513-10
133	Tangent Gear Bracket	002-20-404-00
134	Tangent Gear and Post Assembly	002-20-461-04
135	Index and Bracket Assembly, Vertical Direct Reading (10')	011-14-637-01
136	Vertical Index Box, Direct Reading	011-14-006-15
137	Tangent Post Sleeve	002-20-185-00
138	Retaining Clip Truarc #5133-25 MD (Tan Post) (Valve Gear Stud)	904680

*Vertical Circular Reading Index and Box. Meters with external drains available upon request.



805 Liberty Boulevard
DuBois, PA 15801
814-375-8875
Fax 814-375-8460

Authorized Distributor

Limited Warranty

Seller warrants the Goods to be free from defects in materials manufactured by Seller and in Seller's workmanship for a period of one (1) year after tender of delivery (the "Warranty Period"). THIS LIMITED WARRANTY (a) IS IN LIEU OF, AND SELLER DISCLAIMS AND EXCLUDES ALL OTHER WARRANTIES, STATUTORY, EXPRESS OR IMPLIED, INCLUDING, WITH LIMITATION, ANY WARRANTY OF MERCHANTABILITY OR FITNESS FOR A PARTICULAR PURPOSE, OR OF CONFORMITY TO MODELS OR SAMPLES; (b) does not apply to any Goods which have been (i) repaired, altered or improperly installed; (ii) subjected to improper use or storage, (iii) used or incorporated with other materials or equipment, after buyer or anyone using the Goods has, or reasonably should have, knowledge of any defect or nonconformance of the Goods; or (iv) manufactured, fabricated or assembled by anyone other than Seller, (c) shall not be effective unless buyer notifies Seller in writing of any purported defect or nonconformance with (thirty days) after Buyer discovers or should have reasonably discovered such purported defect or nonconformance; and (d) shall only extend to Buyer and not to any subsequent buyers or users of the Goods. Buyer shall provide Seller access to the Goods as to which Buyer claims a purported defect or nonconformance, upon request by Seller, buyer shall, at its own risk and expense, promptly return the Goods in question to Seller's Plant.