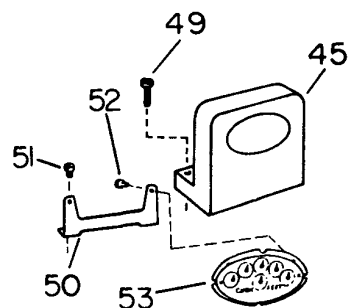
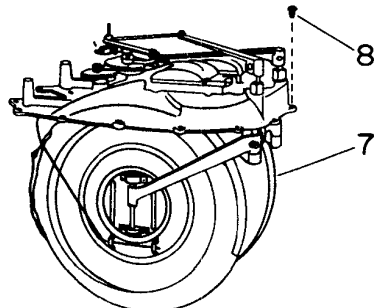
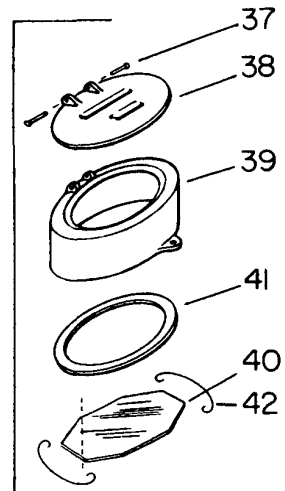
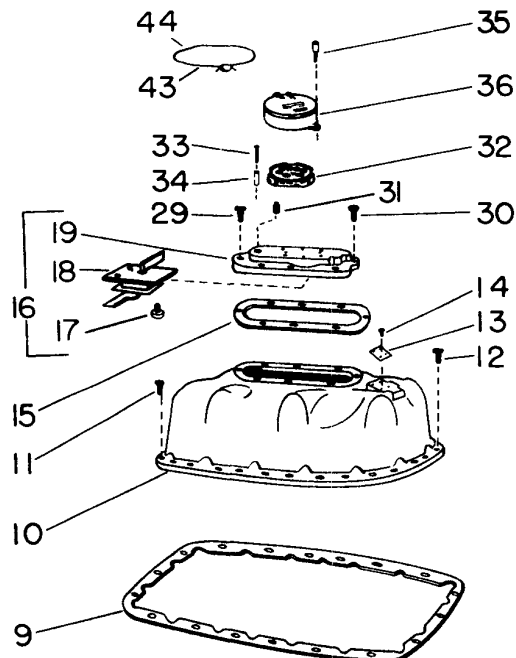
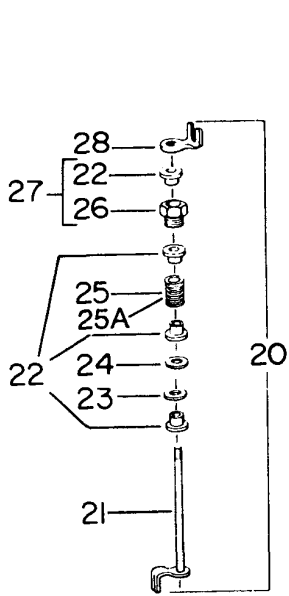




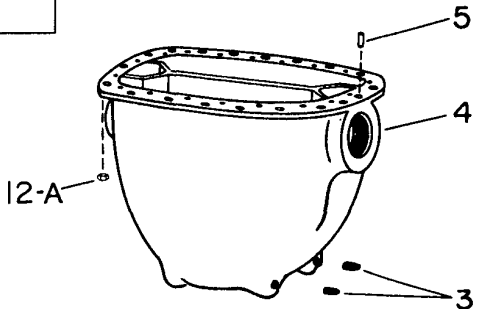
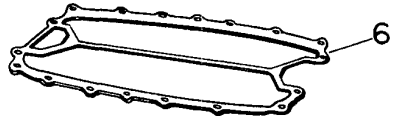
Parts List
Model 5000
Large Capacity Gas Meter

Parts List
MODEL 5000
Large Capacity Gas Meter

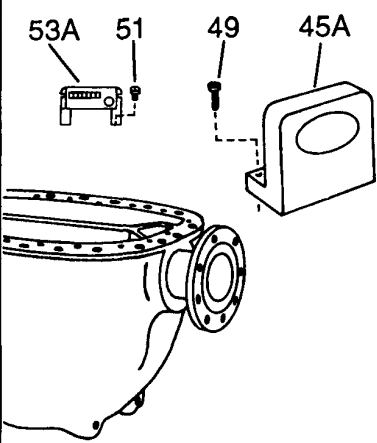


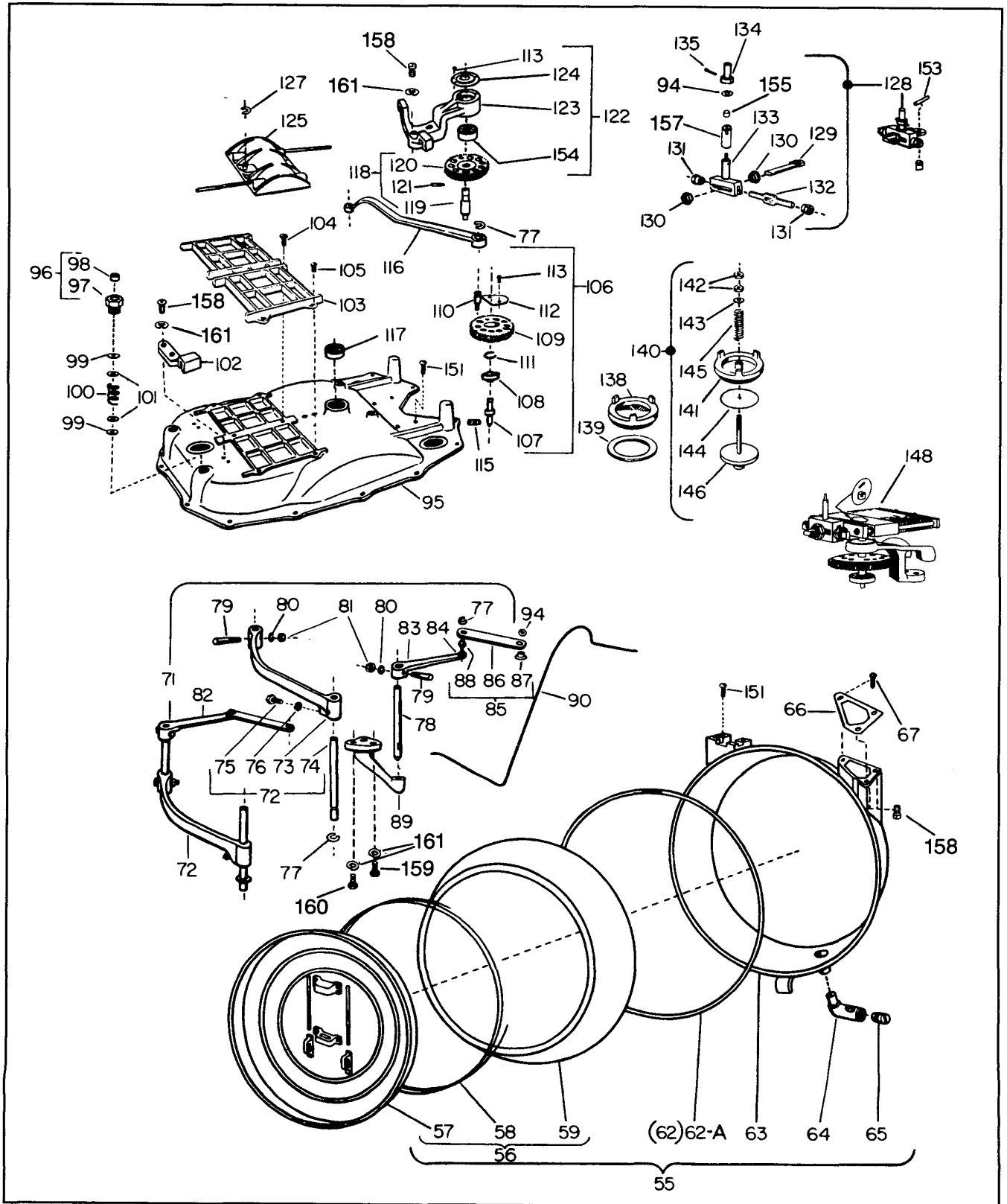
How to Order
For prompt handling of parts orders call your local Equimeter Sales Office.

- Be Sure To Specify:**
1. Quantity
 2. Part Description
 3. Part Number
 4. Size



Vertical C.R. Index and Box Assembly Available







Model 5000 Large Capacity Gas Meter

ILLUSTRATION NUMBER	DESCRIPTION	PART NUMBER
3	Body Drain Plugs, 3/4-14 Square Head Steel Pipe Plug	923054
4	Body Assembly 4" Connector Without Flanges	002-67-601-11
	Body Assembly 4" Connector With Flanges (Standard)	002-67-601-12
	Body Assembly 3" Connector Without Flanges	002-67-601-13
	Body Assembly 3" Connector With Flanges	002-67-601-14
5	Cover Dowel Pin	002-66-149-00
6	Valve Plate Gasket (Pulpboard)	002-67-163-00
7	Valve Plate Assembly Without Drains, Non-Temperature Compensated Without Relief Valves	002-67-502-75
	Valve Plate Assembly With Drains, Non-Temperature Compensated Without Relief Valves	002-67-502-76
	Valve Plate Assembly Without Drains, Temperature Compensated Without Relief Valves	002-67-502-78
	Valve Plate Assembly With Drains, Temperature Compensated Without Relief Valves	002-67-502-79
8	1/4-20 x 3/4" Long Valve Plate to Body Screw Round Head	914605
9	Cover Gasket for Meters Prior to and Including Serial No. S-6024372, Only	002-67-164-57
9A	Cover Seal for Meters After Serial No. 6024372, Only ("O" Ring)	002-67-164-91
10	Cover Assembly	002-67-503-00
11	1/2-13 x 1 1/4" Long Cap Screw, Hexagonal Head, Cover to Body ¹	903592
12	1/2-13 x 2" Long Cap Screw, Hexagonal Head, Cover to Body ¹	905900
	1/2-13 x 2 1/2" Long Cap Screw, Hexagonal Head, Cover to Body ¹	905901
12A	1/2-13 Hexagonal Nut	903940
13	Nameplate	002-67-073-XX
14	#4 x 3/16" Brass Drive Screw Round Head	903004
15	Index Plate Gasket (Garlock)	002-67-172-03
16	Index Plate and Intermediate Gear Assembly	002-67-612-75
17	#8-32 x 3/16" Long Machine Screw With Lockwasher Round Head	903461
18	Intermediate Gear	002-67-412-04
19	Index Plate Assembly	002-67-504-61
20	Stuffing Box Assembly (Less Index Plate)	002-66-423-00
21	Index Shaft Assembly	002-66-554-02
22	Bushing	001-60-052-62
23	Brass Washer	001-61-062-01
24	"O" Ring	904379
25	Spring	001-61-121-00
25A	Stuffing Box Dressing	950767
26	Gland	002-22-023-00
27	Gland and Bushing Assembly	002-22-323-02
28	Dog	002-66-071-08
29	3/16-16 x 1 1/2" Long Cap Screw (Index Plate Mounting) Hexagonal Head	910057
30	Seal Screw (Index Plate)	002-67-057-12
31	Index Plate Pipe Plug	002-66-080-04
32	Index Standard (Horizontal)	002-65-537-00
33	#8-32 x 1" Round Head Machine Screw Index Mounting	914459
34	Index Spacing Sleeve	002-67-197-04
35	Index Box Seal Screws	002-65-056-00
36	Index Box Assembly, Horizontal	002-65-506-12
37	3/32 x 7/16" Long Round Head Rivet (Copper)	904145
38	Index Box Cover	002-65-007-08
39	Index Box	002-65-006-09
40	Index Box Glass	002-65-162-00
41	Index Box Glass Gasket	002-65-283-00
42	Glass Retainer	001-60-008-00
43	Lead Seal	001-60-157-00
44	Seal Wire 32" Long	002-66-057-11
45	Vertical Index Box Circular Reading	011-14-006-10
45A	Vertical Index Box Direct Reading	011-14-006-15
49	Index Box Seal Screw for Equimeter Index Box	002-20-056-02
50	Bracket	005-68-118-02
51	3/16-18 x 3/16" Fillister Head Machine Screw (Bracket to Index Plate)	919900
52	#8-32 x 3/16" Round Head Machine Screw (Index to Bracket)	914450
53	Vertical Index Assembly Circular Reading, 6 Circles	002-20-537-10
	Vertical Index Assembly Circular Reading, 5 Circles	002-20-537-72
53A	Vertical Index & Bracket Assembly Direct Reading	011-14-637-01
55	Diaphragm Assembly Right Hand Without Drain (Synthetic)	002-67-551-71
	Diaphragm Assembly Left Hand Without Drain (Synthetic)	002-67-651-71

¹ Part Numbers 903592 and 905900 were used on original design meters.
Part Numbers 905900 and 905901 are used on current production meters.



Model 5000 Large Capacity Gas Meter

ILLUSTRATION NUMBER	DESCRIPTION	PART NUMBER
55	Diaphragm Assembly Right Hand With Drain (Synthetic)	002-67-551-72
	Diaphragm Assembly Left Hand With Drain (Synthetic)	002-67-651-72
56	Diaphragm and Disc Assembly (Synthetic)	002-67-450-71
57	Diaphragm Disc Assembly	002-67-526-06
58	Binding Wire 19' - .049 Diameter Steel	99942
59	Diaphragm (Synthetic)	002-67-150-71
62	Diaphragm Clamp Band Assembly	002-67-581-21
63	Diaphragm Pan Assembly Right Hand Without Drain	002-67-525-11
	Diaphragm Pan Assembly Left Hand Without Drain	002-67-625-11
	Diaphragm Pan Assembly Right Hand With Drain	002-67-525-09
	Diaphragm Pan Assembly Left Hand With Drain	002-67-625-09
64	Drain Valve Body	002-67-090-00
65	Drain Valve	002-66-188-05
66	Diaphragm Port Gasket (Pulpboard)	002-67-171-00
67	1/4-20 x 1/2" Long Round Head Steel Machine Screw Port Mounting	914603
71	Flag and Flag Arm Assembly Right Hand	002-67-541-00
	Flag and Flag Arm Assembly Left Hand	002-67-641-00
72	Flag and Rocker Shaft Assembly Right Hand	002-67-442-20
	Flag and Rocker Shaft Assembly Left Hand	002-67-542-20
73	Flag Right Hand	002-67-142-12
	Flag Left Hand	002-67-342-12
74	Rocker Shaft Assembly	002-22-247-00
75	1/4-20 x 3/4" Long Hexagonal Socket Head Set Screw Cup Point Stainless Steel	950797
76	1/4-20 Jam Nut Stainless Steel	903929
77	Retaining Ring, Walde Truarc #5133-37 ZD	904689
78	Flag Rod Right Hand	002-67-141-04
	Flag Rod Left Hand	002-67-341-04
79	Flag Rod Pin	002-67-279-05
80	3/16 Standard Lockwasher	932501
81	3/16-18 Hexagonal Steel Locknut	1190510
82	Flag Arm and Stud Assembly Offset (For meters prior to 1984 SN 56055151, order #85 also)	002-67-111-02
83	Flag Arm	002-67-011-07
84	Flag Arm Stud	002-22-051-01
85	Tangent Link Assembly Offset (For meters prior to 1984 SN 56055151, order #82 also)	002-67-520-03
86	Tangent Link	002-67-020-09
87	Bushing	002-20-117-02
88	Bushing	002-22-117-02
89	Flag Rod Bearing Bracket Right Hand	002-67-102-00
	Flag Rod Bearing Bracket Left Hand	002-67-302-00
90	Diaphragm Guide Wire Right Hand	002-67-140-05
	Diaphragm Guide Wire Left Hand	002-67-340-05
94	Tangent Link Spacer Bushing	002-67-049-26
95	Valve Plate (Standard) Without Relief Valve	002-67-002-15
	Valve Plate With Relief Valves	002-67-002-16
96	Packing Gland and Bushing Assembly	002-67-512-03
97	Packing Gland	002-67-012-04
98	Gland Bushing	002-67-026-03
99	Flag Rod Packing Washer	002-67-180-02
100	Gland Spring	002-67-021-00
101	Gland Spring Washer (Steel)	002-67-049-28
102	Valve Guide Bracket	002-67-069-10
103	Valve Seat	002-67-106-07
104	1/4-20 x Flat Head Machine Screw Valve x 3/8 Seat Mounting	919351
105	1/4-20 x 3/8" Long Round Head Machine Screw Valve Seat Mounting	914601
106	Valve Gear Assembly	002-67-561-22
107	Valve Gear Post	002-67-064-01
108	Ball Bearing N.D. 88008 x 1212C	904189
109	Valve Gear	002-67-061-11
110	Valve Gear Stud	002-67-062-06
111	Snap Ring	002-66-128-00
112	Dust Cap	002-66-187-01



Model 5000 Large Capacity Gas Meter

ILLUSTRATION NUMBER	DESCRIPTION	PART NUMBER
113	#4-36 x 1/4" Long Round Head Machine Screw (Brass)	903020
115	1/4-20 x 1/2" Slotted Headless Set Screw	903225
116	Valve Link Assembly	002-67-522-03
117	Ball Bearing ND-8038	904191
118	Tangent Gear and Post Assembly	002-67-561-13
119	Tangent Gear Post	002-67-016-03
120	Tangent Gear	002-67-061-12
121	1/8" Diameter x 1" Long Groove Pin	904112
122	Tangent Post Bracket Assembly	002-67-404-00
123	Bracket	002-67-104-06
124	Dust Cap	002-67-187-01
125	Valve Assembly Right Hand	002-67-505-26
	Valve Assembly Left Hand	002-67-605-26
126	Valve Link Bushing	002-20-114-02
127	Retaining Ring #5133-25 ZD	904680
128	Tangent Assembly	002-67-513-08
129	Tangent Arm	002-67-013-02
130	Tangent Locknut	002-67-015-02
131	Adjusting Screw Locknut	002-66-015-07
132	Adjusting Screw	002-67-046-02
133	Tangent Post	002-67-045-05
134	Tangent Post Cap	002-67-060-50
135	3/32 x 3/4" Long Brass Cotter Pin	904350
138	Relief Valve Plug	002-65-177-01
139	Relief Valve Gasket	002-65-138-00
140	Relief Valve Assembly	002-65-577-02
141	Relief Valve Body	002-65-177-00
142	Adjustment Nut	002-65-182-00
143	Washer	002-65-049-01
144	Valve Disc	002-65-180-02
145	Spring	002-65-181-01
146	Relief Valve and Stem Assembly	002-65-579-00
147	1/4-20 x 3/4" Long Round Head Iron Machine Screw	914605
148	Complete Temperature Compensated Conversion Kit With Bottom Bearing	002-67-555-03
	Complete Temperature Compensated Conversion Kit Without Bottom Bearing	002-67-555-04
	Bimetal Tangent Assembly (Only)	002-67-513-23
	Tangent Gear and Post Assembly, Temperature Compensated Only	002-67-561-42
	Tangent Gear, Post and Bracket Assembly With Bottom Bearing	002-67-604-10
	Tangent Gear, Post and Bracket Assembly Without Bottom Bracket	002-67-604-11
	Pin for Temperature Compensated Meters	002-67-143-00
149	Pin for Standard Meters	002-67-143-00
150	Ball Bearing N.D. 88013 x 1212C	904190
155	Tangent Post Washer	107-66-110-00
157	Tangent Post Sleeve	002-67-185-02
158	1/4-20 x 3/8" Long Round Machine Screw	914604
159	1/4-20 x 3/8" Long Hexagonal Cap Screw	910002
160	1/4-20 x 3/4" Long Hexagonal Cap Screw	910003
161	1/4" Lockwasher	932525



805 Liberty Boulevard
 DuBois, PA 15801
 814-375-8875
 Fax 814-375-8460

LIMITED WARRANTY Seller warrants the Goods to be free from defects in materials manufactured by Seller and in Seller's workmanship for a period of **one (1) year** after tender of delivery (the "Warranty Period"). **THIS LIMITED WARRANTY (a) IS IN LIEU OF, AND SELLER DISCLAIMS AND EXCLUDES, ALL OTHER WARRANTIES, STATUTORY, EXPRESS OR IMPLIED, INCLUDING, WITHOUT LIMITATION, ANY WARRANTY OF MERCHANTABILITY OR FITNESS FOR A PARTICULAR PURPOSE, OR OF CONFORMITY TO MODELS OR SAMPLES;** (b) does not apply to any Goods which have been (i) repaired, altered or improperly installed; (ii) subjected to improper use or storage; (iii) used or incorporated with other materials or equipment, after Buyer or anyone using the Goods has, or reasonably should have, knowledge of any defect or nonconformance of the Goods; or (iv) manufactured, fabricated or assembled by anyone other than Seller; (c) shall not be effective unless Buyer notifies Seller in writing of any purported defect or nonconformance within **[thirty (30) days]** after Buyer discovers or should have reasonably discovered such purported defect or nonconformance; and (d) shall only extend to Buyer and not to any subsequent buyers or users of the Goods. Buyer shall provide Seller access to the Goods as to which Buyer claims a purported defect or nonconformance; upon request by Seller, Buyer shall, at its own risk and expense, promptly return the Goods in question to Seller's Plant.