

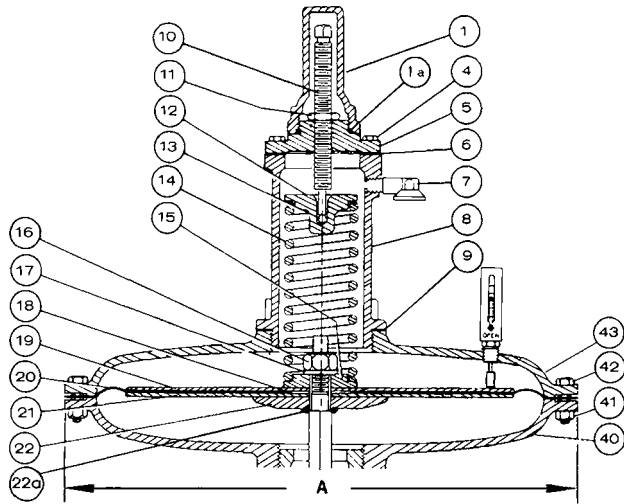


**Model 441-S Regulator
Parts List**

**Model 441-S
Regulator
Parts List**



All Models 441-S



DIAPHRAGM SIZE

Nominal Inside Diameter	A
7" Diaphragm	9 ³ / ₄ "
10" Diaphragm	13 ¹ / ₈ "
12" Diaphragm	14 ¹ / ₄ "
14" Diaphragm	16 ³ / ₈ "
16" Diaphragm	18 ³ / ₈ "
18" Diaphragm	20 ³ / ₈ "
20" Diaphragm	23 ¹ / ₈ "

All Models 441-S		
ILL. NO.	PART DESCRIPTION	PART NUMBER
1	Seal Cap	090-00-005-02
1a	Tetraseal (or O-Ring) 1 ³ / ₄ " x 2"	904092
4	Hex. Cap Screw 5/16"-18 x 7/8"	910029
5	Spring Cage Cover	091-16-080-53
6	Spring Cage Cover Gasket	090-16-066-30
7	Vent Cap, 1/4" NPT	137-02-505-02
8	Spring Cage	090-16-006-21
9	Spring Cage Gasket	090-16-066-60
10	Spring Adjusting Screw	090-16-007-02
11	Hex. Steel Jam Nut, 5/8"-11	921407
12	Top Spring Button	091-16-009-00
13	Thrust Bearing, 3/8" dia. stainless steel ball	930510
14	Spring, Aluminum color	090-70-021-00
	Spring, Green	090-70-021-01
	Spring, Yellow	090-70-021-02
	Spring, Gray	090-70-021-03
	Spring, Blue	090-70-021-04
	Spring, Red	090-70-021-05
15	Bottom Spring Button	090-16-009-00
16	Hex. Steel Nut, 5/8"-18	905993
17	Split Lockwasher, 5/8"	932531
18	Buna-N Washer, 2 used	090-16-179-03
19	Upper Diaphragm Plate, 10" diaphragm	090-70-010-01
	Upper Diaphragm Plate, 12" diaphragm	090-71-010-01
	Upper Diaphragm Plate, 14" diaphragm	090-72-010-01
	Upper Diaphragm Plate, 16" diaphragm	090-73-010-21
	Upper Diaphragm Plate, 18" diaphragm	090-74-010-01
	Upper Diaphragm Plate, 20" diaphragm	090-75-010-01

All Models 441-S		
ILL. NO.	PART DESCRIPTION	PART NUMBER
20	7" Diaphragm	090-78-150-21
	10" Diaphragm	090-70-150-20
	12" Diaphragm	090-71-150-20
	14" Diaphragm	090-72-150-20
	16" Diaphragm	090-73-150-20
	18" Diaphragm	090-74-150-20
	20" Diaphragm	090-75-150-20
21	Lower Diaphragm Plate, 10" diaphragm	090-70-060-00
	Lower Diaphragm Plate, 12" diaphragm	090-71-060-00
	Lower Diaphragm Plate, 14" diaphragm	090-72-060-00
	Lower Diaphragm Plate, 16" diaphragm	090-73-060-00
	Lower Diaphragm Plate, 18" diaphragm	090-74-060-00
	Lower Diaphragm Plate, 20" diaphragm	090-75-060-00
22	Lower Diaphragm Clamping Ring	091-00-022-01
22a	O-Ring (5/8" x 3/4")	902922
40	10" Lower Diaphragm Case, 441-S	090-70-003-10
	12" Lower Diaphragm Case, 441-S	090-71-003-00
	14" Lower Diaphragm Case, 441-S	090-72-003-00
	16" Lower Diaphragm Case, 441-S	090-73-003-00
	18" Lower Diaphragm Case, 441-S	090-74-002-10
	20" Lower Diaphragm Case, 441-S	090-75-002-10
41	Hex. Steel Nut, 3/8"-16	920053
42	Hex. Steel Bolt, 3/8"-16 x 1 ³ / ₈ " lg.	903568
43	10" Upper Diaphragm Case	090-70-003-10
	12" Upper Diaphragm Case	090-71-003-00
	14" Upper Diaphragm Case	090-72-003-00
	16" Upper Diaphragm Case	090-73-003-00
	18" Upper Diaphragm Case	090-74-002-10
	20" Upper Diaphragm Case	090-75-002-10
45*	10" Diaphragm Case Assembly, for 2" & 3" 441-S	090-70-302-00
	12" Diaphragm Case Assembly, for 2" & 3" 441-S	090-71-302-00
	14" Diaphragm Case Assembly, for 2" & 3" 441-S	090-72-302-00
	16" Diaphragm Case Assembly, for 2" & 3" 441-S	090-73-302-00
	18" Diaphragm Case Assembly, for 2" & 3" 441-S	090-74-302-00
	10" Diaphragm Case Assembly, for 4" 441-S	090-70-302-01
	12" Diaphragm Case Assembly, for 4" 441-S	090-71-302-01
	14" Diaphragm Case Assembly, for 4" 441-S	090-72-302-01
	16" Diaphragm Case Assembly, for 4" 441-S	090-73-302-01
	18" Diaphragm Case Assembly, for 4" 441-S	090-74-302-01
	20" Diaphragm Case Assembly, for 4" 441-S	090-75-302-00
*Diaphragm Case Assembly consists of Ill. Nos. 18, 19, 20, 21, 22, 40, 41, 42, and 43.		

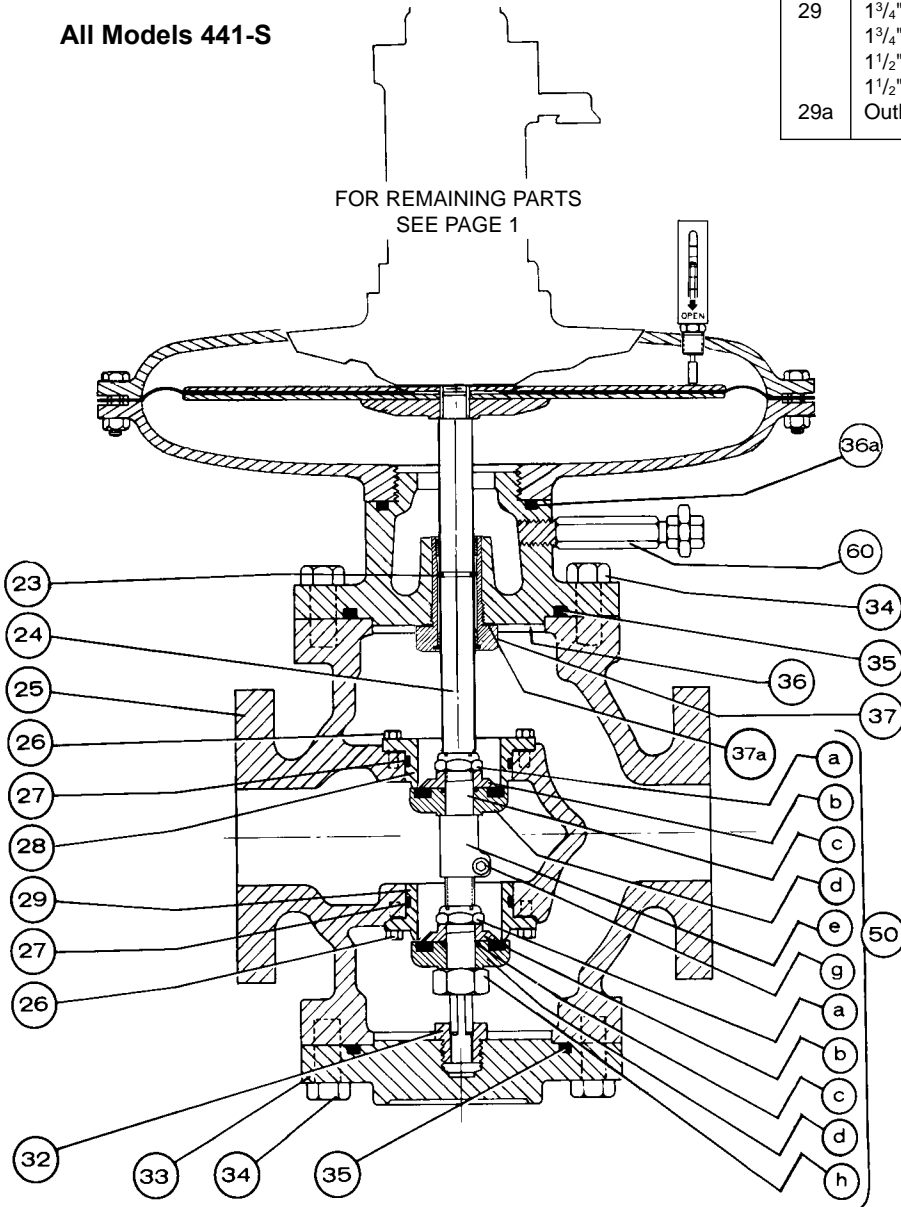


All Models 441-S		
ILL. NO.	PART DESCRIPTION	PART NUMBER
45	Travel Indicator Assembly (1/4" scale)	091-00-365-61
	Travel Indicator Assembly (5/16" scale)	091-00-365-63
	Travel Indicator Assembly (5/8" scale)	091-00-365-65
	Travel Indicator Assembly (1" scale)	091-00-365-67
	Travel Indicator Assembly (1 1/4" scale)	091-00-365-69
	Travel Indicator Assembly (1 1/2" scale)	091-00-365-71
60	1/2" NPT Nipple, Orifice Plug, and Steel Union Assembly	090-16-361-00
91	Nameplate, round (not shown)	090-16-086-00
93	Rd. Hd. Machine Screw, 6"-32 x 1/4" lg. for rd. nameplate (not shown)	914402

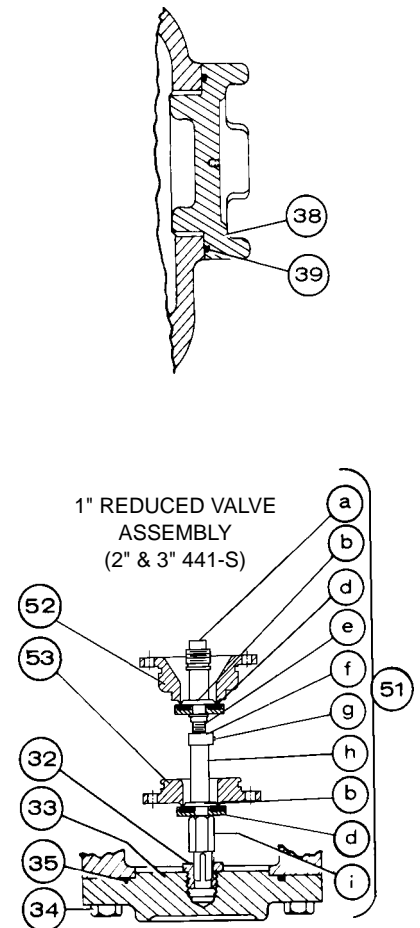
When ordering parts for a 441-S regulator, include pipe size, model number, inner valve size, and serial number if possible.

2" Models 441-S			
ILL. NO.	PART DESCRIPTION	PART NUMBER	
25	2" 441 Body, screwed, 250 lb. cast iron	090-16-001-00	
	2" 441 Body, flanged, ANSI 125 lb. FF, cast iron	090-16-001-01	
	2" 441 Body, flanged, ANSI 250 lb. RF ductile iron	090-16-001-02	
26	2" 441 Body, flanged, ANSI 300 lb. RF, cast iron	090-16-001-03	
	Hex. Cap Screw, 1/4"-20 x 1/2" lg., 120,000 tensile	910001	
27	O-Ring, for orifices	904832	
28	1 3/4" Inlet Orifice, CRS	090-16-028-00	
	1 3/4" Inlet Orifice, stainless steel	090-16-028-50	
	1 1/2" Inlet Orifice, CRS	090-16-028-01	
	1 1/2" Inlet Orifice, stainless steel	090-16-028-51	
	Inlet Orifice, 1" valve CRS	090-16-028-02	
	29	1 3/4" Outlet Orifice, CRS	090-16-029-00
		1 3/4" Outlet Orifice, stainless steel	090-16-029-50
	29a	1 1/2" Outlet Orifice, CRS	090-16-029-01
		1 1/2" Outlet Orifice, stainless steel	090-16-029-51
	29a	Outlet Orifice, 1" valve CRS	090-16-029-02

All Models 441-S



SIDE INSPECTION PLATE





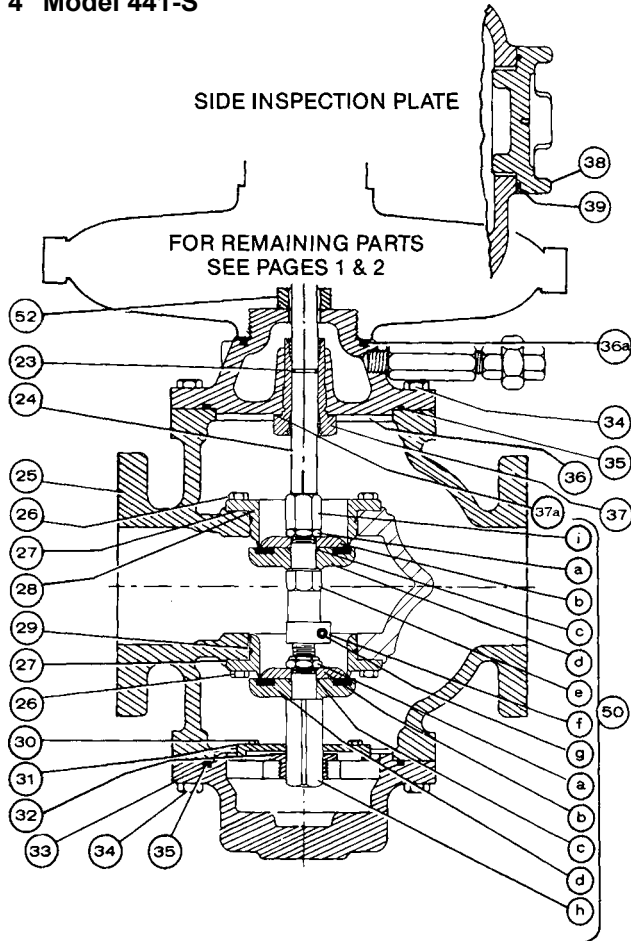
3" Models 441-S		
ILL. NO.	PART DESCRIPTION	PART NUMBER
25	3" 441 Body, flanged, ANSI 125 lb. FF, cast iron	090-20-001-00
	3" 441 Body, flanged, ANSI 250 lb. RF ductile iron	090-20-001-01
	3" 441 Body, flanged, ANSI 300 lb. RF, cast steel	090-20-001-04
26	Hex. Cap Screw, 1/4"-20 x 1/2" lg., 120,000 tensile	910001
27	O-Ring, for orifices	950818
28	2 1/8" Inlet Orifice, CRS	090-20-028-00
	2 1/8" Inlet Orifice, stainless steel	090-20-028-50
	1 3/4" Inlet Orifice, CRS	090-20-028-02
	1 3/4" Inlet Orifice, stainless steel	090-20-028-52
	1 1/2" Inlet Orifice, CRS	090-20-028-03
	1 1/2" Inlet Orifice, stainless steel	090-20-028-53
	Inlet Orifice, 1" valve CRS	090-20-028-04
29	2 1/8" Outlet Orifice, CRS	090-20-029-00
	2 1/8" Outlet Orifice, stainless steel	090-20-029-50
	1 3/4" Outlet Orifice, CRS	090-20-029-02
	1 3/4" Outlet Orifice, stainless steel	090-20-029-52
	1 1/2" Outlet Orifice, CRS	090-20-029-03
	1 1/2" Outlet Orifice, stainless steel	090-20-029-53
	Outlet Orifice, 1" valve CRS	090-20-029-04
50	Valve Assembly, 2 1/8", brass trim, Buna-N (Black, 50 to 55 Duro)	090-20-515-30
	Valve Assembly, 2 1/8", stainless steel trim, Buna-N (Black, 50 to 55 Duro)	090-20-515-50
	Valve Assembly, 2 1/8", brass trim, Polyurethane (Red, 65 to 75 Duro)	090-20-515-40
	Valve Assembly, 2 1/8", stainless steel trim, Polyurethane (Red, 65 to 75 Duro)	090-20-515-60
50b	Valve Retainer, standard, steel, 2 1/8"	090-20-018-00
	Valve Retainer, standard, stainless steel, 2 1/8"	090-20-018-30
	Valve Retainer, v-port wings, steel, 2 1/8"	090-20-012-50
	Valve Retainer, v-port wings, stainless steel, 2 1/8"	090-20-012-51
50d	Molded Valve, 2 1/8", Buna-N (Black, 50 to 55 Duro) all trim	090-20-315-00
	Molded Valve, 2 1/8", Polyurethane (Red, 65 to 75 Duro) all trim	090-20-315-02

2" and 3" Models 441-S		
ILL. NO.	PART DESCRIPTION	PART NUMBER
23	O-Ring, 1 1/16" x 7/8"	934013
24	Diaphragm Connecting Stem, stainless steel	090-16-058-00
32	Guide Bushing with Pin, brass	090-16-385-01
	Guide Bushing with Pin, stainless steel	090-16-385-03
33	Bottom Plate, 8 bolt, for screwed & flanged 125 & 250 lb. bodies	090-16-004-01
	Bottom Plate, 8 bolt, for screwed & flanged 300 & 600 lb. steel bodies	090-16-004-06
34	Hex. Cap Screw, 1/2"-13 x 1 1/4"	910106
35	Tetraseal (or O-Ring), 4 3/8" x 4 5/8"	904085
36	Centerpiece, 4 bolt, for flanged 125 lb. bodies (Iron)	090-16-275-60
	Centerpiece, 8 bolt, for screwed & flanged bodies (Steel)	090-16-275-61
36a	Tetraseal (or O-Ring), 4" x 4 1/4"	904084

2" and 3" Models 441-S		
ILL. NO.	PART DESCRIPTION	PART NUMBER
37	Stem Bushing Assembly	090-16-373-00
37a	Seal Washer	090-26-178-00
38	Side Plate, iron, for 2" & 3" cast iron bodies	090-16-072-06
	Side Plate, ductile, for 2" & 3" ductile bodies	090-16-072-00
	Side Plate, steel, for 2" & 3" steel bodies	090-16-072-01
39	Tetraseal (or O-Ring), 3 1/4" x 3 1/2"	904078
50	Valve Assembly, 1 3/4", Std trim, Buna-N (Black, 50 to 55 Duro)	090-16-515-27
	Valve Assembly, 1 3/4", stainless steel trim, Buna-N (Black, 50 to 55 Duro)	090-16-515-50
	Valve Assembly, 1 1/2", Std trim, Buna-N (Black, 50 to 55 Duro)	090-16-515-31
	Valve Assembly, 1 1/2", stainless steel trim, Buna-N (Black, 50 to 55 Duro)	090-16-515-51
50a	Valve Retaining Nut, 5/8"-18	905564
50b	Valve Retainer, std., steel, 1 3/4"	090-16-018-00
	Valve Retainer, std., stainless steel, 1 3/4"	090-16-018-30
	Valve Retainer, v-port wings, steel, 1 3/4"	090-16-012-50
	Valve Retainer, v-port wings, stainless steel, 1 3/4"	090-16-012-53
	Valve Retainer, std., steel, 1 1/2"	090-16-018-01
	Valve Retainer, std., stainless steel, 1 1/2"	090-16-018-31
	Valve Retainer, v-port wings, steel, 1 1/2"	090-16-012-52
	Valve Retainer, v-port wings, stainless steel, 1 1/2"	090-16-012-55
50c	O-Ring, 5/8" x 13/16"	934012
50d	Molded Valve, 1 3/4", Buna-N (Black, 50 to 55 Duro), all trim	090-16-315-00
	Molded Valve, 1 1/2", Buna-N (Black, 50 to 55 Duro), all trim	090-16-315-01
	Molded Valve, 1 3/4", Polyurethane (Red, 65 to 75 Duro), all trim	090-16-315-02
	Molded Valve, 1 1/2", Polyurethane (Red, 65 to 75 Duro), all trim	090-16-315-03
50e	Female Valve, Stem, brass	090-16-116-00
	Female Valve, Stem, stainless steel	090-16-116-01
50g	Adjustment Clamp Screw, Soc. Hd. Screw, 10-24 x 1/2" lg.	903486
	Adjustment Clamp Screw, for 1 1/2" valve only	090-16-046-01
50h	Male Valve Stem, brass	090-16-016-01
	Male Valve Stem, stainless steel	090-16-016-02
51	Valve Assembly	
51a	Stem Extension, stainless steel, 1" valve	090-16-125-01
51b	Valve Retainer, stainless steel, 1" valve	091-16-018-01
51d	Molded Valve, 1", Buna-N (Black, 50 to 55 Duro), all trim	091-16-315-01
	Molded Valve, 1", Polyurethane (Red, 65 to 75 Duro), all trim	091-16-315-11
	Molded Valve, 1", Viton (stamped V, 65 to 75 Duro), all trim	091-16-315-13
51e	Male Valve Stem, stainless steel, 1" valve	090-16-016-21
51f	Valve Stem Locking Ring, stainless steel, 1" valve	091-16-043-01
	Set Screw, Hex. Soc. Cup Pt., #12-24 x 1/4" lg.	907694
51h	Female Valve Stem, stainless steel, 1" valve	090-16-116-21
51i	Valve Guide, stainless steel, 1"	090-16-012-31
52	Inlet Orifice, 1", CRS	090-16-028-02
	Inlet Orifice, 1", stainless steel	090-16-028-55
53	Outlet Orifice, 1", CRS	090-16-029-02
	Outlet Orifice, 1", stainless steel	090-16-029-55



4" Model 441-S



4" Model 441-S		
ILL. NO.	PART DESCRIPTION	PART NUMBER
23	O-Ring, 1 ¹ / ₁₆ " x 7 ⁷ / ₈ " O.D.	934013
24	Diaphragm Connecting Stem, stainless steel	090-16-058-00
25	4" 441 Body, flanged ANSI 125 lb. FF, cast iron	090-22-001-00
	4" 441 Body, flanged ANSI 250 lb. RF, ductile iron	090-22-001-01
	4" 441 Body, flanged ANSI 300 lb. RF, cast steel	090-22-001-04
26	Hex. Cap Screw, 3 ³ / ₈ "-16 x 3 ³ / ₄ " lg., 120,000 tensile	910053
27	O-Ring, for orifices	905583
28	3" Inlet Orifice, CRS	090-22-028-00
	3" Inlet Orifice, stainless steel	090-22-028-50
	2 ¹ / ₈ " Inlet Orifice, CRS	090-22-028-02
	2 ¹ / ₈ " Inlet Orifice, stainless steel	090-22-028-52
	1 ³ / ₄ " Inlet Orifice, CRS	090-22-028-01
	1 ³ / ₄ " Inlet Orifice, stainless steel	090-22-028-51
29	3" Outlet Orifice, CRS	090-22-029-00
	3" Outlet Orifice, stainless steel	090-22-029-50
	2 ¹ / ₈ " Outlet Orifice, CRS	090-22-029-02
	2 ¹ / ₈ " Outlet Orifice, stainless steel	090-22-029-52
	1 ³ / ₄ " Outlet Orifice, CRS	090-22-029-01
	1 ³ / ₄ " Outlet Orifice, stainless steel	090-22-029-51
30	Hex. Cap Screw, 3 ³ / ₈ "-16 x 1" lg.	910055
31	Spin Stop Plate	090-22-040-01
32	Guide Bushing, brass	090-22-074-00
	Guide Bushing, stainless steel	090-22-074-01

4" Model 441-S		
ILL. NO.	PART DESCRIPTION	PART NUMBER
33	Bottom Plate, iron, 8 bolt	090-22-004-30
	Bottom Plate, ductile iron, 8 bolt	090-22-004-51
	Bottom Plate, steel, 8 bolt	090-22-004-71
34	Hex. Cap Screw, 5 ⁵ / ₈ "-11 x 1 ¹ / ₂ "	910157
	Hex. Cap Screw, 5 ⁵ / ₈ "-11 x 1 ³ / ₄ " for ductile bottom plate	910158
35	Tetraseal (or O-Ring), 6 ¹ / ₄ " x 6 ¹ / ₂ "	904080
36	Centerpiece, 8 bolt	090-22-275-00
	Centerpiece, steel, 8 bolt	090-22-275-03
36a	Tetraseal (or O-Ring), 4" x 4 ¹ / ₄ "	904084
37	Stem Bushing Assembly	090-16-373-02
37a	Seal Washer	090-26-178-00
38	Side Plate, ductile, for 4" cast and ductile bodies	090-22-072-00
	Side Plate, steel, for 4" steel bodies	090-22-072-01
39	Tetraseal (or O-Ring), 4 ¹ / ₄ " x 4 ¹ / ₂ "	904083
50	Valve Assembly, 3", Std trim, Buna-N (Black, 50 to 55 Duro)	090-22-515-30
	NOTE: For other Valve Assemblies see RP-1360	
50a	Valve Retaining Nut, 3 ³ / ₄ "-16	090-22-034-00
50b	Valve Retainer, standard, 3"	090-22-018-03
	Valve Retainer, stainless steel, 3"	090-22-018-00
	Valve Retainer, v-port wings, standard, 3"	090-22-012-20
	Valve Retainer, v-port wings, stainless stl, 3"	090-22-012-40
	Valve Retainer, standard, 2 ¹ / ₈ "	090-22-018-01
	Valve Retainer, stainless steel, 2 ¹ / ₈ "	090-22-018-31
	Valve Retainer, v-port wings, standard, 2 ¹ / ₈ "	090-22-012-50
	Valve Retainer, v-port wings, stainless steel, 2 ¹ / ₈ "	090-22-012-51
	Valve Retainer, stainless steel, 1 ³ / ₄ "	090-22-018-34
50c	O-Ring, 1 ³ / ₁₆ " x 1"	904173
50d	Molded Valve, 3", Buna-N (Black, 50 to 55 Duro), all trim	090-22-315-00
	Molded Valve, 2 ¹ / ₈ ", Buna-N (Black, 50 to 55 Duro), all trim	090-22-315-01
	Molded Valve, 1 ³ / ₄ ", Buna-N (Black, 50 to 55 Duro), all trim	090-22-315-04
	Molded Valve, 3", Polyurethane (Red, 65 to 75 Duro), all trim	090-22-315-02
	Molded Valve, 2 ¹ / ₈ ", Polyurethane (Red, 65 to 75 Duro), all trim	090-22-315-03
	Molded Valve, 1 ³ / ₄ ", Polyurethane (Red, 65 to 75 Duro), all trim	090-22-315-05
50e	Female Valve Stem, brass	090-22-016-40
	Female Valve Stem, stainless steel	090-22-016-41
50f	Adjustment Clamp Ring, stainless steel	090-22-043-02
50g	Adjustment Clamp Screw, soc. hd. screw, 1 ¹ / ₄ "-20 x 3 ³ / ₄ " lg.	903494
50h	Male Valve Stem, stainless steel	090-22-116-01
50i	Stem Extension, stainless, for 20" diaphragm only	090-22-058-40
	Stem Extension, stainless, for 18" and smaller diaphragms	090-22-058-41
50j	Locknut (314-16)	903958
52	Travel Stop, for 3" valves	090-22-040-51
	Travel Stop, for 2 ¹ / ₈ " and 1 ³ / ₄ " valves (20" Case Only)	090-22-040-55



805 Liberty Boulevard
DuBois, PA 15801
814-375-8875
Fax 814-375-8460

Authorized Distributor

Limited Warranty

Seller warrants the Goods to be free from defects in materials manufactured by Seller and in Seller's workmanship for a period of one (1) year after tender of delivery (the "Warranty Period"). THIS LIMITED WARRANTY (a) IS IN LIEU OF, AND SELLER DISCLAIMS AND EXCLUDES ALL OTHER WARRANTIES, STATUTORY, EXPRESS OR IMPLIED, INCLUDING, WITH LIMITATION, ANY WARRANTY OF MERCHANTABILITY OR FITNESS FOR A PARTICULAR PURPOSE, OR OF CONFORMITY TO MODELS OR SAMPLES; (b) does not apply to any Goods which have been (i) repaired, altered or improperly installed; (ii) subjected to improper use or storage, (iii) used or incorporated with other materials or equipment, after buyer or anyone using the Goods has, or reasonably should have, knowledge of any defect or nonconformance of the Goods; or (iv) manufactured, fabricated or assembled by anyone other than Seller, (c) shall not be effective unless buyer notifies Seller in writing of any purported defect or nonconformance with (thirty days) after Buyer discovers or should have reasonably discovered such purported defect or nonconformance; and (d) shall only extend to Buyer and not to any subsequent buyers or users of the Goods. Buyer shall provide Seller access to the Goods as to which Buyer claims a purported defect or nonconformance, upon request by Seller, buyer shall, at its own risk and expense, promptly return the Goods in question to Seller's Plant.