

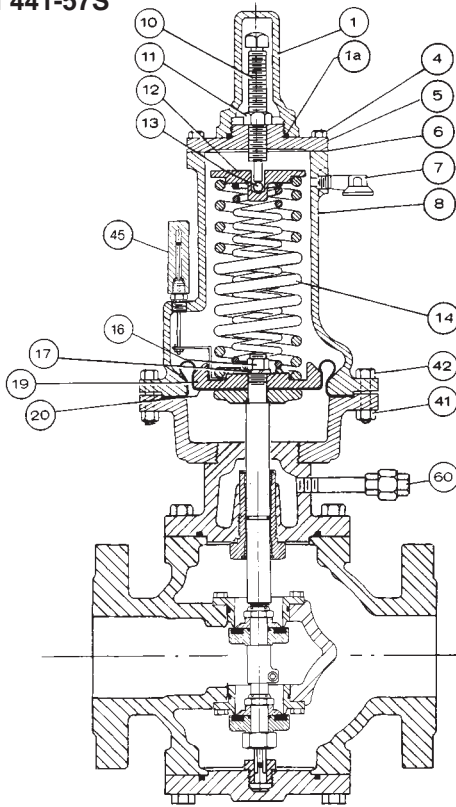


Regulator Parts List

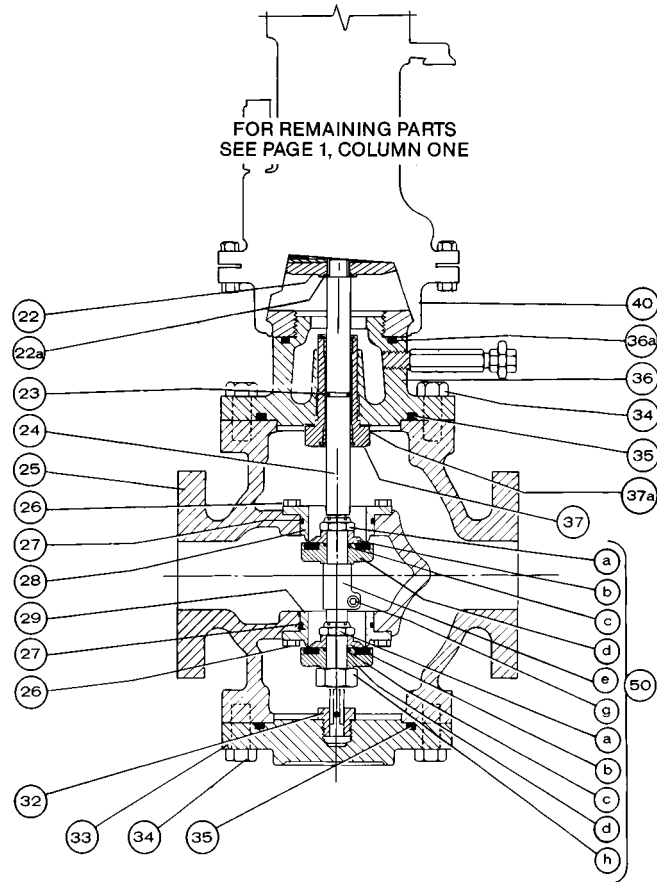
Model 441-57S

**Parts List
Model 441-57S
Regulators**

Model 441-57S



2" and 3" Model 441-57S



2", 3", 4", 6" Model 441-57S

ILL. NO.	DESCRIPTION	PART NUMBER
1	Seal Cap	090-00-005-02
1a	Tetraseal (or O-Ring) 1 3/4" x 2"	904092
4	Hex. Cap Screw 3/16"-18 x 1", 120,000 tensile, 8 used	910030
5	Housing Cover, ductile	091-16-380-00
6	Housing Cover Gasket	091-00-066-30
7	Vent Cap, 1/4" NPT	137-02-505-02
8	Upper Diaphragm Case	091-00-003-00
10	Spring Adjusting Screw	090-16-007-02
11	Hex. Steel Jam Nut, 5/8"-11	921007
12	Top Spring Button	091-00-009-00
13	Thrust Bearing, 3/8" dia. stainless steel ball	930510
14	Spring, Yellow 3 to 6 psi	091-00-021-05
	Spring, Gray 5 to 9 psi	091-00-021-04
	Spring, Blue 7 1/2 to 15 psi	091-00-021-03
	Spring, Red 12 1/2 to 30 psi	091-00-021-02
	Spring, Brown 25 to 55 psi	091-00-021-01
	Spring, Black 50 to 75 psi	091-00-021-00
	Spring, Brown plus White 70 to 100 psi, Brown outer spring	091-00-021-01
	White inner spring	091-00-021-08
16	Hex. Steel Nut 5/8"-18	905993
17	Split Lockwasher 5/8"	932531
19	Diaphragm Plate, upper	091-00-010-00
20	Diaphragm, 5" Roll-Out	091-00-350-00
41	Hex. Steel Nut, 3/8"-16, 8 used	920053
42	Hex. Steel Bolt, 3/8"-16 x 1 3/4" lg., 8 used	910058
45	Travel Indicator Assembly	
	5/8" Scale (1 1/2", 1 3/4", 2 1/8" valve)	091-00-365-75
	1" Scale (3" valves)	091-00-365-77
	1 1/4" Scale (4 1/4" valves)	091-00-365-79
60	1/2" NPT Nipple, Orifice Plug and Steel Union Assembly	090-16-361-01
90	Nameplate	090-00-086-05
91	Nameplate, round	090-16-086-00
92	Rd. Hd. Type U Drive Screw, #4 x 3/16" lg.	903004
93	Rd. Hd. Machine Screw, 6-32 x 1/4" lg.	914402

FOR REMAINING PARTS SEE PAGE 1, COLUMN ONE

SIDE INSPECTION PLATE

2" Model 441-57S

ILL. NO.	DESCRIPTION	PART NUMBER
26	Hex. Cap Screw, 1/4"-20 x 1/2" lg., 120,000 tensile	910001
27	O-Ring, 2 1/16" x 2 1/4"	904832
28	1 3/4" Inlet Orifice, CRS	090-16-028-00
	1 1/4" Inlet Orifice, stainless steel	090-16-028-50
	1 1/2" Inlet Orifice, CRS	090-16-028-01
	1 1/2" Inlet Orifice, stainless steel	090-16-028-51
28a	1" Inlet Orifice, CRS	090-16-028-02
29	1 3/4" Outlet Orifice, iron	090-16-029-00
	1 3/4" Outlet Orifice, stainless steel	090-16-029-50
	1 1/2" Outlet Orifice, CRS	090-16-029-01
	1 1/2" Outlet Orifice, stainless steel	090-16-029-51
29a	1" Outlet Orifice, CRS	090-16-029-02



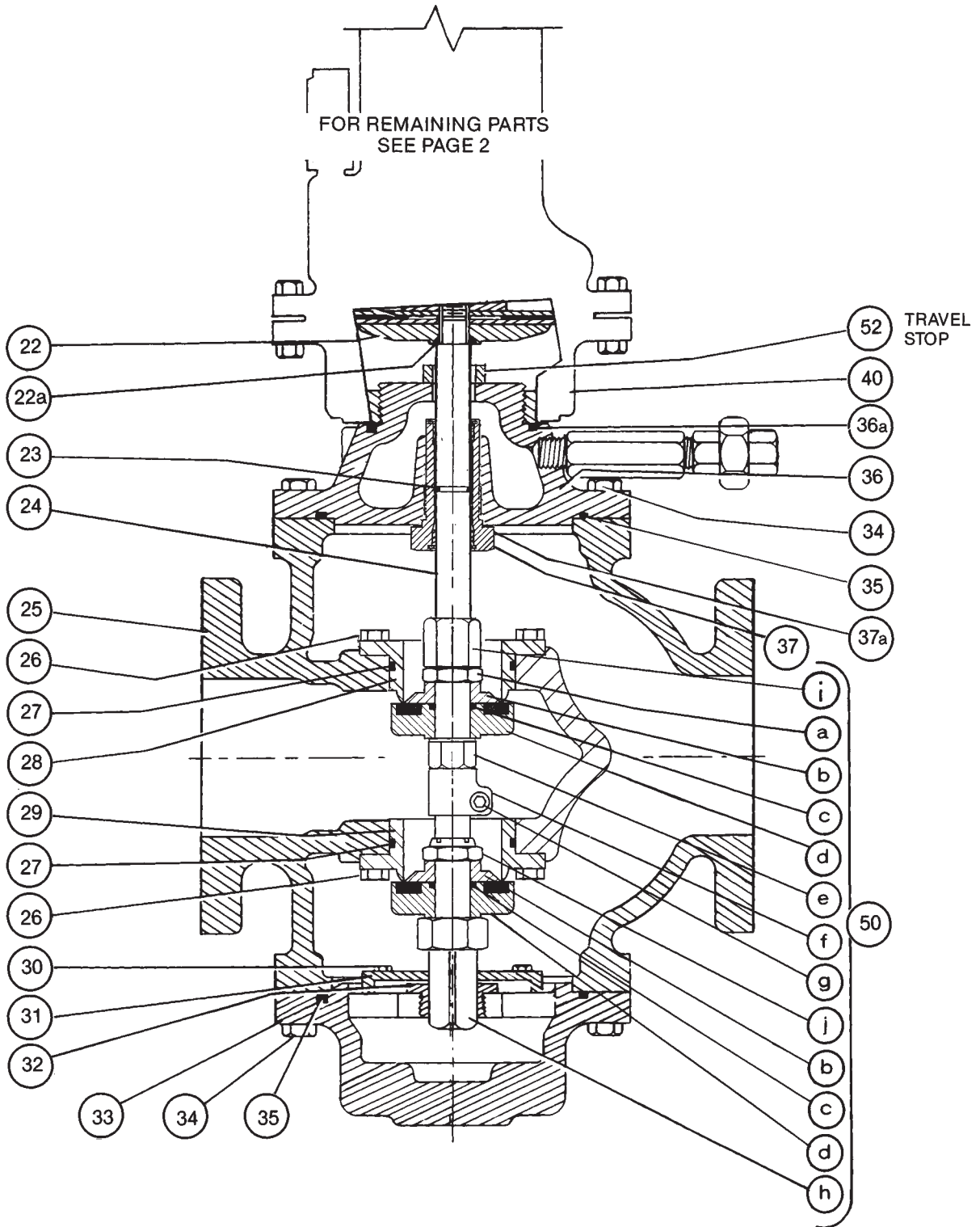
3" Model 441-57S		
ILL. NO.	DESCRIPTION	PART NUMBER
26	Hex. Cap Screw, 1/4" - 20 x 1/2" lg., 120,000 tensile	910001
27	O-Ring, 2 1/16" x 2 3/8"	904832
28	2 1/8" Inlet Orifice, CRS	090-20-028-00
	2 1/8" Inlet Orifice, stainless steel	090-20-028-50
	1 3/4" Inlet Orifice, CRS	090-20-028-02
	1 3/4" Inlet Orifice, stainless steel	090-20-028-52
	1 1/2" Inlet Orifice, CRS	090-20-028-03
	1 1/2" Inlet Orifice, stainless steel	090-20-028-53
28a	1" Inlet Orifice, CRS	090-20-028-04
29	2 1/8" Outlet Orifice, CRS	090-20-029-00
	2 1/8" Outlet Orifice, stainless steel	090-20-029-50
	1 3/4" Outlet Orifice, CRS	090-20-029-02
	1 3/4" Outlet Orifice, stainless steel	090-20-029-52
	1 1/2" Outlet Orifice, CRS	090-20-029-03
	1 1/2" Outlet Orifice, stainless steel	090-20-029-53
29a	1" Outlet Orifice, CRS	090-20-029-04

2" and 3" Model 441-57S		
ILL. NO.	DESCRIPTION	PART NUMBER
22	Lower Diaphragm Plate	091-00-022-00
22a	O-Ring, 5/16" x 3/4"	902922
23	O-Ring, 1 1/16" x 7/8"	934013
24	Diaphragm Connecting Stem, S.S.	090-16-058-00
25	2" 441 Body, screwed 125 lb. cast iron	090-16-001-00
	2" 441 Body, flanged ANSI 125 lb. FF, cast iron	090-16-001-01
	2" 441 Body, flanged ANSI 250 lb. RF, ductile iron	090-16-001-02
	2" 441 Body, flanged ANSI 300 lb. RF, cast steel	090-16-001-03
	2" 441 Body, flanged ANSI 600 lb. RF, cast steel	090-16-001-04
25	3" 441 Body, flanged ANSI 125 lb. FF, cast iron	090-20-001-00
	3" 441 Body, flanged ANSI 250 lb. RF, ductile iron	090-20-001-01
	3" 441 Body, flanged ANSI 300 lb. RF, cast steel	090-20-001-04
	3" 441 Body, flanged ANSI 600 lb. RF, cast steel	090-20-001-02
32	Guide Bushing with Pin, brass	090-16-385-01
	Guide Bushing with Pin, stainless steel	090-16-385-03
33	Bottom Plate, 8 bolt, for screwed & flanged bodies CRS	090-16-004-01
34	Hex. Cap Screw, 1/2" - 13 x 1 1/4"	910106
35	Tetraseal (or O-Ring), 4 3/8" x 4 5/8"	904085
36	Centerpiece, 125 lb. & 250 lb. bodies	090-16-275-60
	Centerpiece, 300 lb. & 600 lb. bodies	090-16-275-61
36a	Tetraseal (or O-Ring), 4" x 4 1/4"	904084
37	Centerpiece Stem Bushing Assem.	090-16-373-00
37a	Seal Washer	090-26-178-00
38	Side Plate, ductile, for 2" & 3" ductile bodies	090-16-072-00
	Side Plate, steel, for 2" & 3" steel bodies	090-16-072-01
39	Tetraseal (or O-Ring), 3 1/4" x 3 1/2"	904078
40	Lower Diaphragm Case	090-22-002-00
50	Valve Assembly, 1 3/4", brass trim, Polyurethane (red, 65-75 Duro)	090-16-515-32
	Valve Assembly, 1 3/4", stainless steel trim, Polyurethane (red, 65-75 Duro)	090-16-515-52
	Valve Assembly, 1 1/2", brass trim, Polyurethane (red, 65-75 Duro)	090-16-515-33

3" Model 441-57S		
ILL. NO.	DESCRIPTION	PART NUMBER
50	Valve Assembly, 2 1/8", brass trim, Polyurethane (red 65-75 Duro)	090-20-515-40
	Valve Assembly, 2 1/8", stainless steel trim, Polyurethane (red 65-75 Duro)	090-20-515-60
50b	Valve Retainer, standard, CRS, 2 1/8"	090-20-018-00
	Valve Retainer, standard, stainless steel, 2 1/8"	090-20-018-30
	Valve Retainer, V-port wings, iron, 2 1/8"	090-20-012-50
	Valve Retainer, V-port wings, stainless steel, 2 1/8"	090-20-012-51

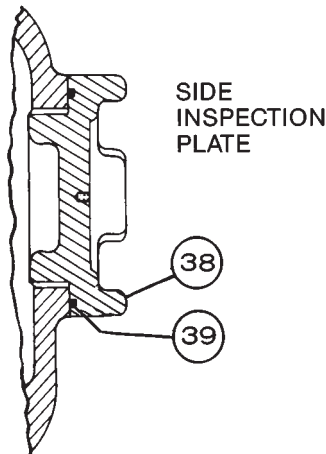
3" Model 441-57S (cont.)		
ILL. NO.	DESCRIPTION	PART NUMBER
50d	Molded Valve, 2 1/8", Buna-N (black 50-55 Duro) all trim	090-20-315-00
	Molded Valve, 2 1/8", Polyurethane (red, 65-75 Duro) all trim	090-20-315-02
	Molded Valve, 2 1/8", Polyurethane (tan, 85-95 Duro) all trim	090-20-315-03

2" and 3" Model 441-57S		
ILL. NO.	DESCRIPTION	PART NUMBER
50	Valve Assembly, 1 1/2", stainless steel trim, Polyurethane (red, 65-75 Duro)	090-16-515-53
50a	Valve Lock Nut, 5/8" - 18	905564
50b	Valve Retainer, standard, steel, 1 3/4"	090-16-018-00
	Valve Retainer, standard, stainless steel, 1 3/4"	090-16-018-30
	Valve Retainer, V-port wings, steel, 1 3/4" valve	090-16-012-50
	Valve Retainer, V-port wings, stainless steel, 1 3/4" valve	090-16-012-53
	Valve Retainer, standard, steel, 1 1/2"	090-16-018-01
	Valve Retainer, standard, stainless steel, 1 1/2"	090-16-018-31
	Valve Retainer, V-port wings, steel, 1 1/2"	090-16-012-52
	Valve Retainer, V-port wings, stainless steel, 1 1/2"	090-16-012-55
50c	O-Ring, 5/8" x 1 3/16"	934012
50d	Molded Valve, 1 3/4", Buna-N (black, 50-55 Duro) all trim	090-16-315-00
	Molded Valve, 1 1/2", Buna-N (black, 50-55 Duro) all trim	090-16-315-01
	Molded Valve, 1 3/4", Polyurethane (red, 65-75 Duro) all trim	090-16-315-02
	Molded Valve, 1 1/2", Polyurethane (red, 65-75 Duro) all trim	090-16-315-03
	Molded Valve, 1 3/4", Polyurethane (tan, 85-95 Duro) all trim	090-16-315-05
	Molded Valve, 1 1/2", Polyurethane (tan, 85-95 Duro) all trim	090-16-315-04
50e	Female Valve, Stem, brass	090-16-116-00
	Female Valve, Stem, stainless steel	090-16-116-01
50g	Adjustment Clamp Screw, Soc. Hd. Screw, 10-24 x 1/2" lg.	903486
	Adjustment Clamp Screw, for 1 1/2" valve only	090-16-046-01
50h	Male Valve Stem, brass	090-16-016-01
	Male Valve Stem, stainless steel	090-16-016-02
51	Valve Assembly, 1", brass trim, Polyurethane soft seats	090-16-515-42
	Valve Assembly, 1", stainless steel trim, Polyurethane soft seats	090-16-515-62
51a	Stem Extension, stainless steel, 1" valve	090-16-125-01
51b	Valve Retainer, brass, 1" valve	090-16-018-03
	Valve Retainer, stainless steel, 1" valve	090-16-018-01
51d	Molded Valve, 1", Buna-N (black 50-55 Duro) all trim	091-16-315-01
	Molded Valve, 1", Polyurethane (red, 65-75 Duro), all trim	091-16-315-11
	Molded Valve, 1", Polyurethane (tan, 85-95 Duro) all trim	091-16-315-15
	Molded Valve, 1", Viton (stamped V, 65-75 Duro) all trim	091-16-315-13
51e	Male Valve Stem, stainless, 1" valve	090-16-016-21
51f	Valve Stem Locking Ring, stainless steel, 1" valve	091-16-043-01
51g	Set Screw, Hex. Soc. Cup Pt., #12-24 x 1/4" lg.	907694
51h	Female Valve Stem, stainless steel, 1" valve	090-16-116-21
51i	Valve Guide, stainless steel, 1" valve	090-16-012-31

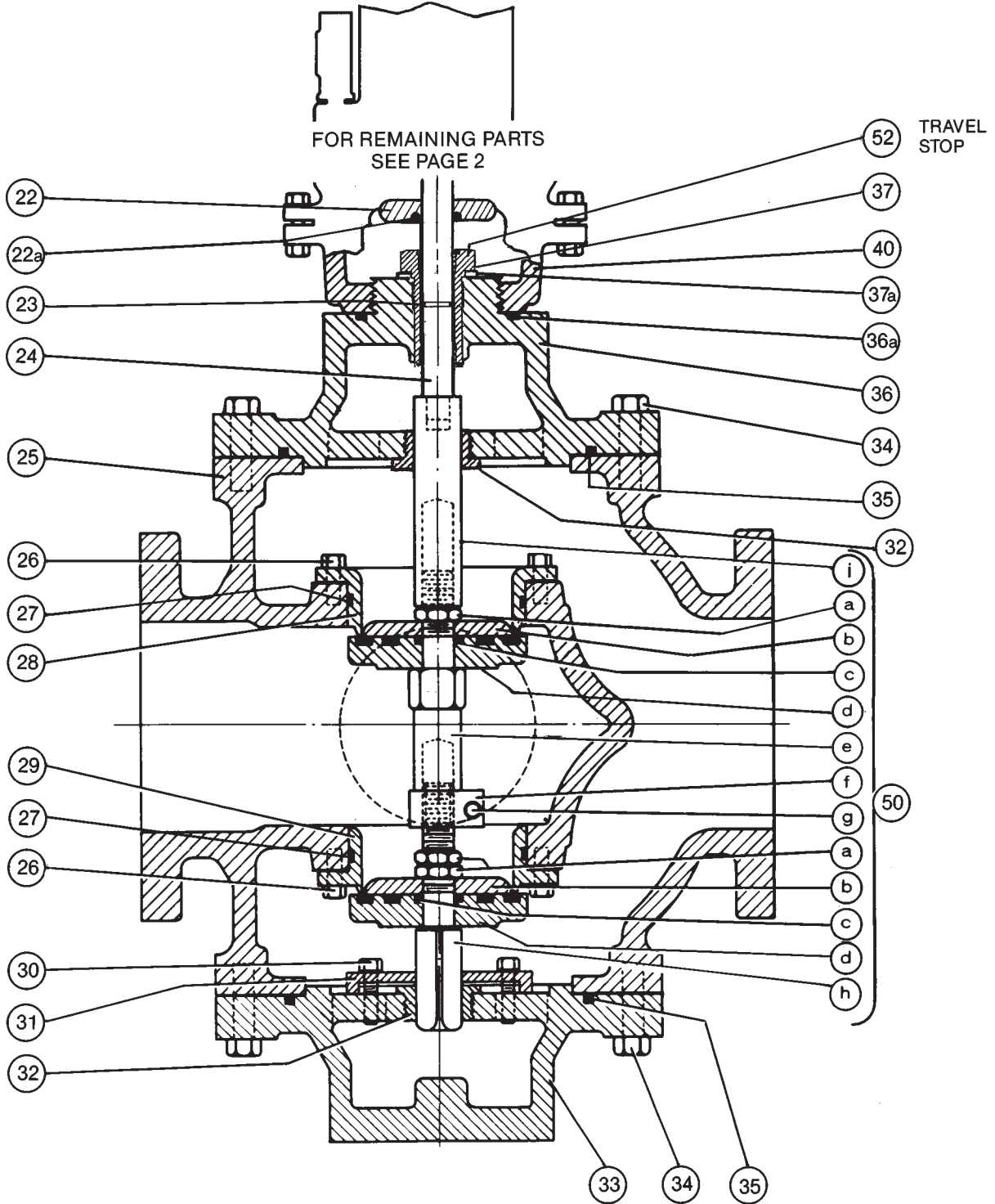




4" Model 441-57S		
ILL. NO.	DESCRIPTION	PART NUMBER
22	Lower Diaphragm Plate	091-00-022-01
22a	O-Ring, $\frac{3}{8}$ " x $\frac{3}{4}$ "	902922
23	O-Ring, $\frac{1}{16}$ " x $\frac{7}{8}$ "	934013
24	Diaphragm Connecting Stem, S.S.	090-16-058-00
25	4" 441 Body, flanged ANSI 125 lb. FF, cast iron	090-22-001-00
	4" 441 Body, flanged ANSI 250 lb. RF, ductile iron	090-22-001-01
	4" 441 Body, flanged ANSI 300 lb. RF, cast steel	090-22-001-04
	4" 441 Body, flanged ANSI 600 lb. RF, cast steel	090-22-001-02
26	Hex. Cap Screw, $\frac{3}{8}$ " - 16 x $\frac{3}{4}$ " lg., 120,000 tensile	910053
27	O-Ring, $3\frac{1}{2}$ " x $3\frac{1}{16}$ "	905583
28	3" Inlet Orifice, CRS	090-22-028-00
	3" Inlet Orifice, stainless steel	090-22-028-50
	$2\frac{1}{8}$ " Inlet Orifice, CRS	090-22-028-02
	$2\frac{1}{8}$ " Inlet Orifice, stainless steel	090-22-028-52
	$1\frac{3}{4}$ " Inlet Orifice, CRS	090-22-028-01
	$1\frac{3}{4}$ " Inlet Orifice, stainless steel	090-22-028-51
29	3" Outlet Orifice, CRS	090-22-029-00
	3" Outlet Orifice, stainless steel	090-22-029-50
	$2\frac{1}{8}$ " Outlet Orifice, CRS	090-22-029-02
	$2\frac{1}{8}$ " Outlet Orifice, stainless steel	090-22-029-52
	$1\frac{3}{4}$ " Outlet Orifice, CRS	090-22-029-01
	$1\frac{3}{4}$ " Outlet Orifice, stainless steel	090-22-029-51
30	Hex. Cap Screw, $\frac{3}{8}$ " - 16 x 1" lg.	910055
31	Spin Stop Plate	090-22-040-01
32	Guide Bushing, brass	090-22-074-00
	Guide Bushing, stainless steel	090-22-074-01
33	Bottom Plate, iron, 8 bolt	090-22-004-30
	Bottom Plate, ductile iron, 8 bolt	090-22-004-51
	Bottom Plate, steel, 8 bolt	090-22-004-71
34	Hex. Cap Screw, $\frac{5}{8}$ " - 11 x $1\frac{1}{2}$ "	910157
	Hex. Cap Screw, $\frac{5}{8}$ " - 11 x $1\frac{3}{4}$ " for ductile bottom plate	910158
35	Tetraseal (or O-Ring), $6\frac{1}{4}$ " x $6\frac{1}{2}$ "	904080
36	Centerpiece, 8 bolt	090-22-275-00
	Centerpiece, steel, 8 bolt	090-22-275-03
36a	Tetraseal (or O-Ring), 4" x $4\frac{1}{2}$ "	904084
37	Centerpiece stem bushing, assemb.	090-16-373-00
37a	Seal Washer	090-26-178-00
38	Side Plate, Ductile, for 4" ductile body & iron body	090-22-072-00
	Side Plate, Steel, for 4" steel bodies	090-22-072-01



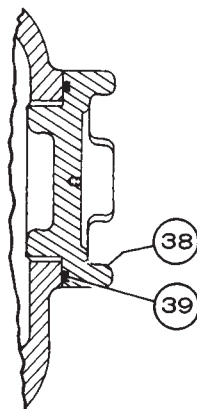
4" Model 441-57S		
ILL. NO.	DESCRIPTION	PART NUMBER
39	Tetraseal (or O-Ring), $4\frac{1}{4}$ " x $4\frac{1}{2}$ "	904083
40	Lower Diaphragm Case	090-22-002-00
50	Valve Assembly, 3", brass trim	
	Polyurethane (red, 65-75 Duro)	090-22-515-40
	Valve Assembly, 3", stainless steel trim, Polyurethane (red, 65-75 Duro)	090-22-515-60
	Valve Assembly, $2\frac{1}{8}$ ", brass trim, Polyurethane (red, 65-75 Duro)	090-22-515-41
	Valve Assembly, $2\frac{1}{8}$ ", stainless steel trim, Polyurethane (red, 65-75 Duro)	090-22-515-61
	Valve Assembly, $1\frac{3}{4}$ ", brass trim, Polyurethane (red, 65-75 Duro)	090-22-515-42
	Valve Assembly, $1\frac{3}{4}$ ", stainless steel trim, Polyurethane (red, 65-75 Duro)	090-22-515-62
50a	Valve Lock Nut, $\frac{3}{4}$ " - 16	090-22-034-00
50b	Valve Retainer, standard, CRS, 3"	090-22-018-03
	Valve Retainer, standard, stainless steel, 3"	090-22-018-00
	Valve Retainer, V-port wings, iron, 3"	090-11-012-20
	Valve Retainer, V-port wings, stainless steel, 3"	090-22-012-40
	Valve Retainer, standard, CRS, $2\frac{1}{8}$ "	090-22-018-01
	Valve Retainer, standard, stainless steel, $2\frac{1}{8}$ "	090-22-018-31
	Valve Retainer, V-port wings, iron, $2\frac{1}{8}$ "	090-22-012-50
	Valve Retainer, V-port wings, stainless steel, $2\frac{1}{8}$ "	090-22-012-51
	Valve Retainer, standard, stainless steel, $1\frac{3}{4}$ "	090-22-018-34
50c	O-Ring, $\frac{13}{16}$ " x 1"	904173
50d	Molded Valve, 3", Buna-N (black 50-55 Duro) all trim	090-22-315-00
	Molded Valve, $2\frac{1}{8}$ ", Buna-N (black, 50-55 Duro) all trim	090-22-315-01
	Molded Valve, $1\frac{3}{4}$ ", Buna-N (black, 50-55 Duro) all trim	090-22-315-04
	Molded Valve, 3", Polyurethane (red, 65-75 Duro) all trim	090-22-315-02
	Molded Valve, $2\frac{1}{8}$ ", Polyurethane (red, 65-75 Duro) all trim	090-22-315-03
	Molded Valve, $1\frac{3}{4}$ ", Polyurethane (red, 65-75 Duro) all trim	090-22-315-05
	Molded Valve, 3", Polyurethane, (tan, 85-95 Duro) all trim	090-22-315-08
	Molded Valve, $2\frac{1}{8}$ ", Polyurethane, (tan, 85-95 Duro) all trim	090-22-315-07
	Molded Valve, $1\frac{3}{4}$ ", Polyurethane, (tan, 85-95 Duro) all trim	090-22-315-06
50e	Female Valve Stem, brass	090-22-016-40
	Female Valve Stem, stainless steel	090-22-016-41
50f	Adjustment Clamp Ring, stainless steel	090-22-043-02
50g	Adjustment Clamp Screw, soc. hd. screw, $\frac{1}{4}$ " - 20 x $\frac{3}{4}$ " lg.	903494
50h	Male Valve Stem, stainless steel	090-22-116-01
50i	Stem Extension, stainless	090-22-058-40
50j	Valve Locknut (lower)	903958
52	Travel Stop, for 3" valves	090-22-040-51
	Travel Stop, for $2\frac{1}{8}$ " and $1\frac{3}{4}$ " valves	090-22-040-55





6" Model 441-57S		
ILL. NO.	DESCRIPTION	PART NUMBER
22	Lower Diaphragm Plate	091-00-022-02
22a	O-Ring, $\frac{5}{16}$ " x $\frac{3}{4}$ "	902922
23	O-Ring, $\frac{11}{16}$ " x $\frac{7}{8}$ "	934013
24	Diaphragm Connecting Stem, S.S.	090-22-058-00
25	6" 441 Body, flanged ANSI 125 lb. FF, cast iron	090-24-001-00
	6" 441 Body, flanged ANSI 250 lb. RF, ductile iron	090-24-001-01
	6" 441 Body, flanged ANSI 300 lb. RF, cast steel	090-24-001-03
	6" 441 Body, flanged ANSI 600 lb. RF, cast steel	090-24-001-02
26	Hex. Cap Screw, $\frac{3}{8}$ " - 16 x 1" lg., 120,000 tensile	910055
27	O-Ring $4\frac{3}{4}$ " x $4\frac{15}{16}$ "	906301
28	$4\frac{1}{4}$ " Inlet Orifice, CRS	090-24-028-00
	$4\frac{1}{4}$ " Inlet Orifice, stainless steel	090-24-028-02
	3" Inlet Orifice, CRS	090-24-028-10
	3" Inlet Orifice, stainless steel	090-24-028-12
	$2\frac{1}{8}$ " Inlet Orifice, CRS	090-24-028-22
	$2\frac{1}{8}$ " Inlet Orifice, stainless steel	090-24-028-24
29	$4\frac{1}{4}$ " Outlet Orifice, CRS	090-24-029-00
	$4\frac{1}{4}$ " Outlet Orifice, stainless steel	090-24-029-02
	3" Outlet Orifice, CRS	090-24-029-10
	3" Outlet Orifice, stainless steel	090-24-029-12
	$2\frac{1}{8}$ " Outlet Orifice, CRS	090-24-029-22
	$2\frac{1}{8}$ " Outlet Orifice, stainless steel	090-24-029-24
30	Hex. Cap Screw, $\frac{3}{8}$ " - 16 x 1" lg.	910055
31	Spin Stop Plate	090-24-040-01
32	Guide Bushing, stainless steel	090-24-074-01
33	Bottom Plate, iron, 8 bolt	090-24-004-01
	Bottom Plate, ductile iron, 16 bolt	090-24-004-53
	Bottom Plate, steel, 16 bolt	090-24-004-73
34	Hex. Cap Screw, $\frac{5}{8}$ " - 11 x 2	910159
35	Tetraseal (or O-Ring) $7\frac{1}{4}$ " x 8"	904088
36	Centerpiece, iron, 8 bolt	090-24-275-00
	Centerpiece, ductile iron, 16 bolt	090-24-275-50
	Centerpiece, steel, 16 bolt	090-24-275-70
36a	Tetraseal (or O-Ring), 4" x $4\frac{1}{4}$ "	904084
37	Centerpiece Stem Bushing, Assembly	090-16-373-02
37a	Seal Washer	090-26-178-00
38	Side Plate, Ductile, for 6" ductile body	090-24-072-00
	Side Plate, Steel, for 6" steel bodies	090-24-072-01
39	Tetraseal (or O-Ring), 6" x $6\frac{1}{4}$ "	904089
40	Lower Diaphragm Case	090-22-022-00
50	Valve Assembly, $4\frac{1}{4}$ ", brass trim, Polyurethane (red, 65-75 Duro)	090-24-515-40
	Valve Assembly, $4\frac{1}{4}$ ", stainless steel trim, Polyurethane (red, 65-75 Duro)	090-24-515-60
	Valve Assembly, 3" brass trim, Polyurethane (red, 65-75 Duro)	090-24-515-41
	Valve Assembly, 3", stainless steel trim, Polyurethane (red, 65-75 Duro)	090-24-515-61
	Valve Assembly, $2\frac{1}{8}$ ", brass trim, Polyurethane (red, 65-75 Duro)	090-24-515-42

6" Model 441-57S		
ILL. NO.	DESCRIPTION	PART NUMBER
50a	Valve Lock Nut	015-31-034-70
	Valve Lock Nut, $\frac{5}{16}$ " - 18, for $2\frac{1}{8}$ " reduced valve only	905564
50b	Valve Retainer, standard, CRS, $4\frac{1}{4}$ "	090-24-018-00
	Valve Retainer, standard, stainless steel, $4\frac{1}{4}$ "	090-24-018-02
	Valve Retainer, V-port wings, CRS, $4\frac{1}{4}$ "	090-24-012-20
	Valve Retainer, V-port wings, stainless steel, $4\frac{1}{4}$ "	090-24-012-40
	Valve Retainer, standard, CRS, 3"	090-24-018-21
	Valve Retainer, standard, stainless steel, 3"	090-24-018-22
	Valve Retainer, standard, CRS, $2\frac{1}{8}$ "	090-20-018-00
	Valve Retainer, standard, stainless steel, $2\frac{1}{8}$ "	090-20-018-30
	Valve Retainer, V-port wings, CRS, $2\frac{1}{8}$ "	090-20-012-50
	Valve Retainer, V-port wings, stainless steel, $2\frac{1}{8}$ "	090-20-012-51
50c	O-Ring, $1\frac{1}{16}$ " x $1\frac{3}{8}$ "	904174
	O-Ring, $\frac{5}{16}$ " x $\frac{13}{16}$ " for $2\frac{1}{8}$ " reduced valve only	934012
50d	Molded Valve, $4\frac{1}{4}$ ", Buna-N, (black, 50-55 Duro) all trim	090-24-315-00
	Molded Valve, 3", Buna-N, (black, 50-55 Duro) all trim	090-24-315-01
	Molded Valve, $2\frac{1}{8}$ ", Buna-N, (black, 50-55 Duro) all trim	090-20-315-00
	Molded Valve, $4\frac{1}{4}$ ", Polyurethane, (red, 65-75 Duro) all trim	090-24-315-02
	Molded Valve, 3", Polyurethane, (red, 65-75 Duro) all trim	090-24-315-03
	Molded Valve, $2\frac{1}{8}$ ", Polyurethane, (red, 65-75 Duro) all trim	090-20-315-02
	Molded Valve, $4\frac{1}{4}$ ", Polyurethane, (tan, 85-95 Duro) all trim	090-24-315-05
	Molded Valve, 3", Polyurethane, (tan, 85-95 Duro) all trim	090-24-315-04
	Molded Valve, $2\frac{1}{8}$ ", Polyurethane, (tan, 85-95 Duro) all trim	090-20-315-03
50e	Female Valve Stem, stainless steel	090-24-016-01
	Female Valve Stem, stainless steel for $2\frac{1}{8}$ " reduced valve only	090-24-016-11
50f	Adjustment Clamp Ring, stainless steel	090-24-043-02
	Adjustment Clamp Ring, stainless steel, for $2\frac{1}{8}$ " reduced valve only	090-16-043-03
50g	Adjustment Clamp Screw, soc. hd. screw, $\frac{5}{16}$ " - 18 x 1" lg.	903498
	Adjustment Clamp Screw, for $2\frac{1}{8}$ " reduced valve only	903494
50h	Male Valve Stem, stainless steel	090-24-116-01
	Male Valve Stem, stainless steel, for $2\frac{1}{8}$ " reduced valve only	090-24-116-11
50i	Stem Extension, stainless	090-24-062-04
	Valve Stem Hex. Extension, for $2\frac{1}{8}$ " reduced valve only, stainless	090-16-062-11
52	Travel Stop, for $4\frac{1}{4}$ " valves	090-22-040-50
	Travel Stop, for 3" valves	090-22-040-52
	Travel Stop, for $2\frac{1}{8}$ " valves	090-22-040-56



SIDE INSPECTION PLATE