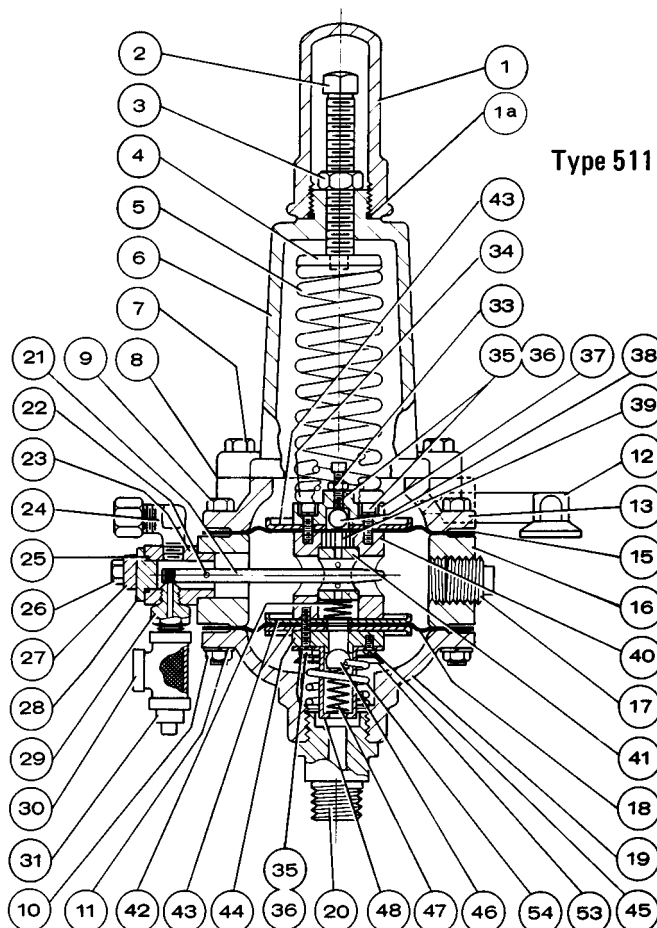


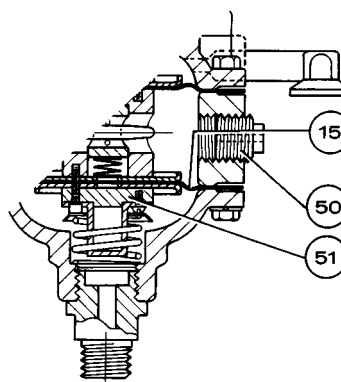


Regulator Parts List Type 511 Pilot

ILL. NO.	DESCRIPTION	PART NUMBER
1	Seal Cap	141-62-005-01
1a	Tetraseal (or O-Ring) 1-3/16" x 1-5/16"	903996
2	Spring Adjusting Screw	138-32-007-00
3	Hex. Steel Jam Nut, 1/2"-20	922204
4	Top Spring Button	138-32-009-00
5	Spring, aluminum, 3" to 28" w.c.	138-32-021-05
	Spring, gray, 0.5 to 5 psi	138-32-021-04
	Spring, green, 2 to 12 psi	138-32-021-03
	Spring, red, 5 to 25 psi	138-32-021-02
	Spring, brown, 10 to 50 psi	138-32-021-01
	Spring, black, 20 to 150 psi	138-32-021-00
6	Spring Housing	138-32-006-00
7	Hex. Cap Screw, 5/16"-18 x 1" lg., 3 used	910030
8	Gasket	138-32-066-30
9	Hex. Steel Bolt, 5/16"-18 x 3" lg., 6 used	910038
10	Hex. Steel Nut, 5/16"-18, 6 used	903859
11	Split Lockwasher, 5/16", light	932501
12	Vent Cap, 1/4" NPT	137-02-505-02
13	Upper Diaphragm Case	138-32-003-00
15	Upper Diaphragm	138-32-150-01
16	Body	138-32-001-01
17	1/2" NPT Sq. Hd. Steel Pipe Plug	923053
18	Lower Diaphragm	138-32-150-00
19	Lower Diaphragm Case	138-32-002-00
20	Pipe Connector	138-32-045-01
21	Lever and seat assembly	138-32-330-01
22	Steel Pin, 3/32" x 23/32" lg.	138-32-075-00
23	Orifice Block, brass	138-32-118-00
	Orifice Block, stainless	138-32-118-01
24	1/8" NPT x 1/4" Tube, Imperial 769 FS	904245
25	Tetraseal (or O-Ring), 1/2" x 11/16"	903925
26	Hex. Steel Cap Screw, 5/16"-18 x 1-3/4" lg., 2 used	910033
27	Strap	138-32-065-00
28	Cap for Orifice Block, brass	138-32-039-00
	Cap for Orifice Block, stainless	138-32-039-01
29	Valve Orifice	138-32-023-00
30	1/8" x 1/8" x 1/8" NPT M.I. Tee	900875
31	Screen Assembly	138-32-326-00
33	Hex. Steel Nut, #10-24	920050
34	Lower Spring Button	138-32-009-21
35	Soc. Hd. Cap Screw, #10-24 x 5/8" lg., 5 used	939902
36	Split Lockwasher, #10, light, 4 used	904012
37	Upper Disc Plate	138-32-010-00
38	Stainless Ball, 11/32" dia.	930509
39	Spacer	138-32-038-00
40	Yoke	138-32-022-00
41	Yoke Cylinder and Pin Assembly	138-32-358-00
	Yoke Cylinder and Pin Assembly, stainless	138-32-358-02
42	Spring	138-32-021-07
43	Diaphragm Plate	138-32-017-00
44	Lower Disc Plate	138-32-028-00
	Lower Disc Plate, stainless	138-32-028-03
45	Rd. Hd. Mach. Screw, #6-32 x 1/4" lg.	914402
46	Stainless Ball, 3/8"	930510
47	Spring	138-32-021-08
48	Spring Cage	138-32-057-00
	Spring Cage, stainless	138-32-057-01
50	1/2" NPT Sq. Hd. Steel Pipe Plug with #60 Hole	138-32-135-01
51	Lower Disc Plate	138-32-028-01
	Lower Disc Plate, stainless	138-32-028-04
53	Spring Holder	138-32-018-00
54	Counterspring	138-32-021-50
62	Nameplate	091-16-086-00-555
63	Rd. Hd. Type U Drive Screw, #4 x 3/16" lg.	903004



Type 511



AIR OPERATED PILOT

☐ Minimum Recommended Spare Parts



805 Liberty Boulevard
DuBois, PA 15801
814-375-8875
Fax 814-375-8460

Authorized Distributor

Limited Warranty

Seller warrants the Goods to be free from defects in materials manufactured by Seller and in Seller's workmanship for a period of one (1) year after tender of delivery (the "Warranty Period"). THIS LIMITED WARRANTY (a) IS IN LIEU OF, AND SELLER DISCLAIMS AND EXCLUDES ALL OTHER WARRANTIES, STATUTORY, EXPRESS OR IMPLIED, INCLUDING, WITH LIMITATION, ANY WARRANTY OF MERCHANTABILITY OR FITNESS FOR A PARTICULAR PURPOSE, OR OF CONFORMITY TO MODELS OR SAMPLES; (b) does not apply to any Goods which have been (i) repaired, altered or improperly installed; (ii) subjected to improper use or storage, (iii) used or incorporated with other materials or equipment, after buyer or anyone using the Goods has, or reasonably should have, knowledge of any defect or nonconformance of the Goods; or (iv) manufactured, fabricated or assembled by anyone other than Seller, (c) shall not be effective unless buyer notifies Seller in writing of any purported defect or nonconformance with (thirty days) after Buyer discovers or should have reasonably discovered such purported defect or nonconformance; and (d) shall only extend to Buyer and not to any subsequent buyers or users of the Goods. Buyer shall provide Seller access to the Goods as to which Buyer claims a purported defect or nonconformance, upon request by Seller, buyer shall, at its own risk and expense, promptly return the Goods in question to Seller's Plant.