

PMX Reed Switch Retro-Fit

General

Any PMX meter can be easily converted to remote reading by installing this retro-fit kit. This product is designed for easy field installation. The kit includes all the parts shown in the sketch to the right. The kit size will need to be specified to select the proper lens for the appropriate meter. Refer to the PMX Reed Switch Retro-Fit Data Sheet, MJ-382, for available kits.

Installation Procedure

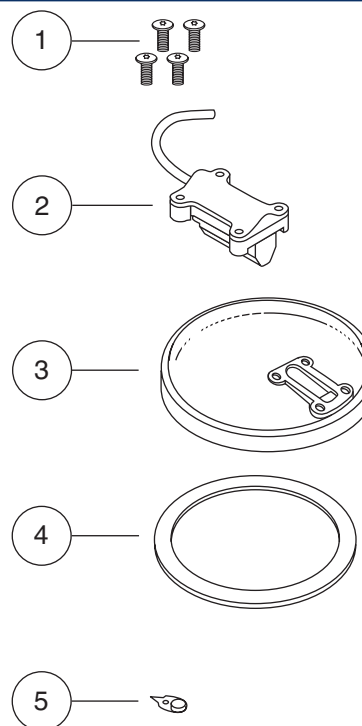
Read this document carefully and completely before proceeding with the installation. Refer to the sketches as necessary to familiarize yourself with the parts and procedure.

Make certain that the water supply is shut off. Secure the meter, then carefully unscrew the brass retaining ring on the meter using the IMS meter wrench or other suitable means. Remove the head ring, slip ring, lens and top seal. Gently remove the appropriate pointer on the register and press-on the remote pointer provided. Discard the old top seal and position the top seal provided on the meter, being certain that it will not interfere with the pointer movement. Place the lens on the top seal. Carefully align the cavity in the lens over the remote pointer as shown in the sketch below. It is critical to center the lens cavity over the remote pointer. Replace the white slip ring on the lens as this will prevent the lens from rotating while tightening the retaining ring onto the meter. The retaining ring should be torqued to approximately 50 ft-lbs. Turn the water on and check for leaks.

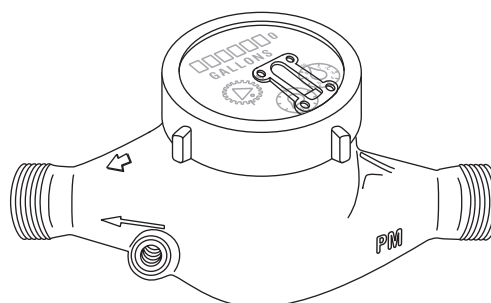
Set the reed switch into the lens cavity, secure the switch to the lens with the four screws supplied. Flow water through the meter and use a multi-meter or the IMS Continuity Tester to verify correct operation of the switch.

Note: The remote lens MUST have a reed switch or reed plug securely fastened in place. Never is the meter to be used with an empty lens cavity. Use care when installing this electronic sensor.

| Available Tools & Prts | |
|----------------------------|--|
| Meter Wrench for head ring | 53802-200-00025 5/8" thru 3/4" 53802-200-00024 1" 53802-200-00023 1 1/2" thru 2" |
| Reed Plug | 77605-109-39001 |



| | | |
|---|----------------|-------------------------------------|
| 1 | Screws | 00001-203-01210 |
| 2 | Reed Switch | 77605-305-00002 |
| 3 | Remote Lens | Refer to table on MJ-382 Data Sheet |
| 4 | Top Seal | Refer to table on MJ-382 Data Sheet |
| 5 | Remote Pointer | 77805-299-00001 |



AUTHORIZED SENSUS DISTRIBUTOR