



PMX[®] Water Meters

PMX Reed Switch Retro-Fit

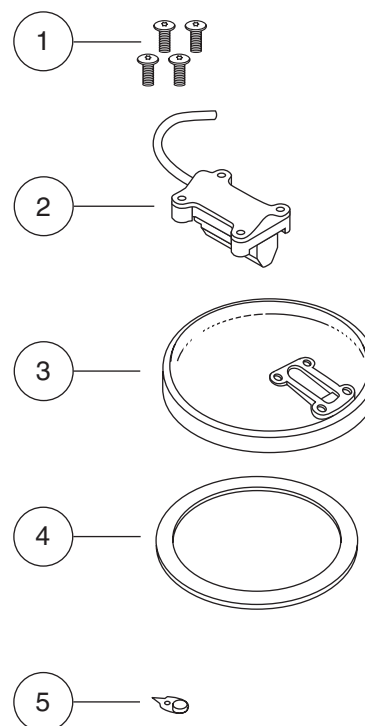
5/8" (DN 15mm), 3/4" (DN 20mm), 1" (DN 25mm) Sizes, 1-1/2" (DN 40mm) and 2" (DN 50mm) Sizes

Description

The PMX Retro-Fit kit is used to convert an existing PMX meter to a remote reading meter via a dry contact reed switch. This kit can be installed without removing the meter from service line by following the instructions on the MJ-381 Installation Sheet. For more information on the installation of this equipment, please contact an Invensys Metering Systems representative or reference data sheet MJ-381.

5/8" thru 3/4"	77805-637-00001-2
1"	77808-637-00001-2
1 1/2" thru 2"	77810-637-00001-2

Notes: Although this device is designed for rugged environmental installations it is a highly sensitive electronic sensor and should be handled with care.



Parts Breakdown:

#	Part Number	Description	Quantity	For Meter Size	Material
1	00001-203-01210	Screws	4	5/8" thru 2"	Stainless Steel
2	77605-305-00002	PMX Reed Switch Assembly	1	5/8" thru 2"	Reed switch Circuitry Sealed in Epoxy & ABS Housing
3	77805-232-39002	Lens with Knurled Nuts	1	5/8" thru 3/4"	Lexan
	77808-232-39002	Lens with Knurled Nuts	1	1"	Lexan
	77810-232-39002	Lens with Knurled Nuts	1	1 1/2" thru 2"	Lexan
4	77805-009-28001	Seal, Flat, Top, 5/8" PMX	1	5/8" thru 3/4"	Nitrile
	77808-009-28001	Seal, Flat, Top, 1" PMX	1	1"	Nitrile
	77810-009-28001	Seal, Flat, Top, 1 1/2"- 2"	1	1 1/2" thru 2"	Nitrile
5	77805-299-00001	Pointer, Remote PMX	1	5/8" thru 2"	ABS Pointer & Magnet

AUTHORIZED SENSUS DISTRIBUTOR



P.O. Box 487 • 450 N. Gallatin Avenue
 Uniontown, PA 15401
 1-800-METER-IT • 1-800-638-3748

Fax: Direct to Factory
 Local: 724-439-7729 • Toll Free: 1-800-888-2403

www.sensus.com (select "North America Water")

Email: h2oinfo@sensus.com