

PMX® Water Meters

Sizes 5/8" through 2"



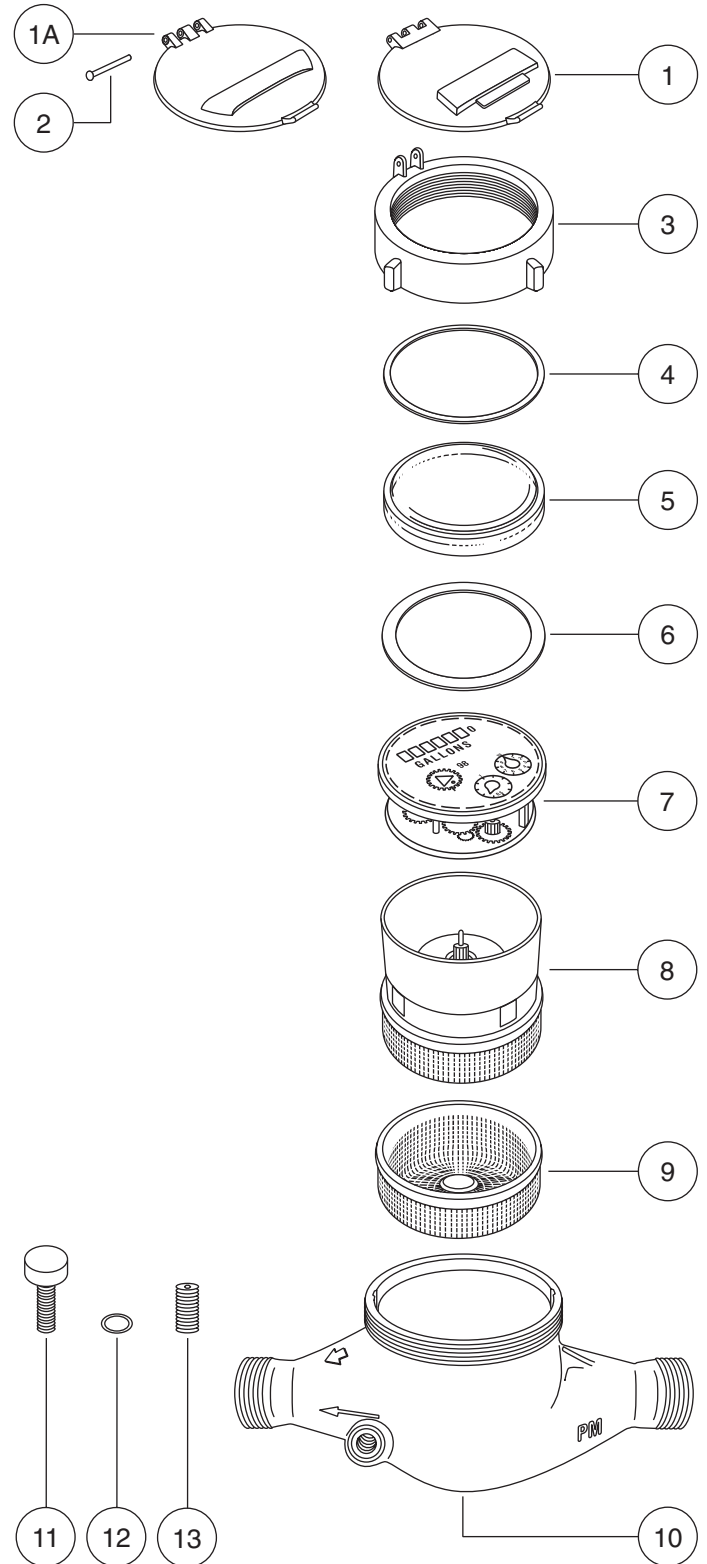
PMX® Water Meters

Sizes 5/8" through 2"

Meter Parts:

ILL. No.	Name of Part
1	Register Cover – Plastic
1A	Register Cover – Brass
2	Register Cover Hinge Pin
3	Brass Retaining Ring ①
4	Slip Ring
5	Standard Lens
6	Top Seal
7	Register ②
8	Chamber Assembly Complete
9	Strainer
10	Main Case External Thread ③
10A	Main Case Internal Thread (Not Shown)
10B	Main Case Flanged (Not Shown)
10C	Main Case Flanged 10" Lay Length (Not Shown)
11	Locking Screw (for Calibration Port)
12	Flat Seal (for Calibration Port)
13	Regulating Screw (for Calibration Port)

① Need Special Tool (not supplied) see illustration Number 20.
 ② Specify registration by letter designation:
 A. U.S. Gallons; B. Cubic Feet; C. Cubic Meters; D. Other (specify).
 ③ Specify Spud size by letter designation:
 A. 5/8"; B. 5/8" x 3/4"; C. 3/4"; D. 1"; E. Other (specify).



PMX® Water Meters

Sizes 5/8" through 2"

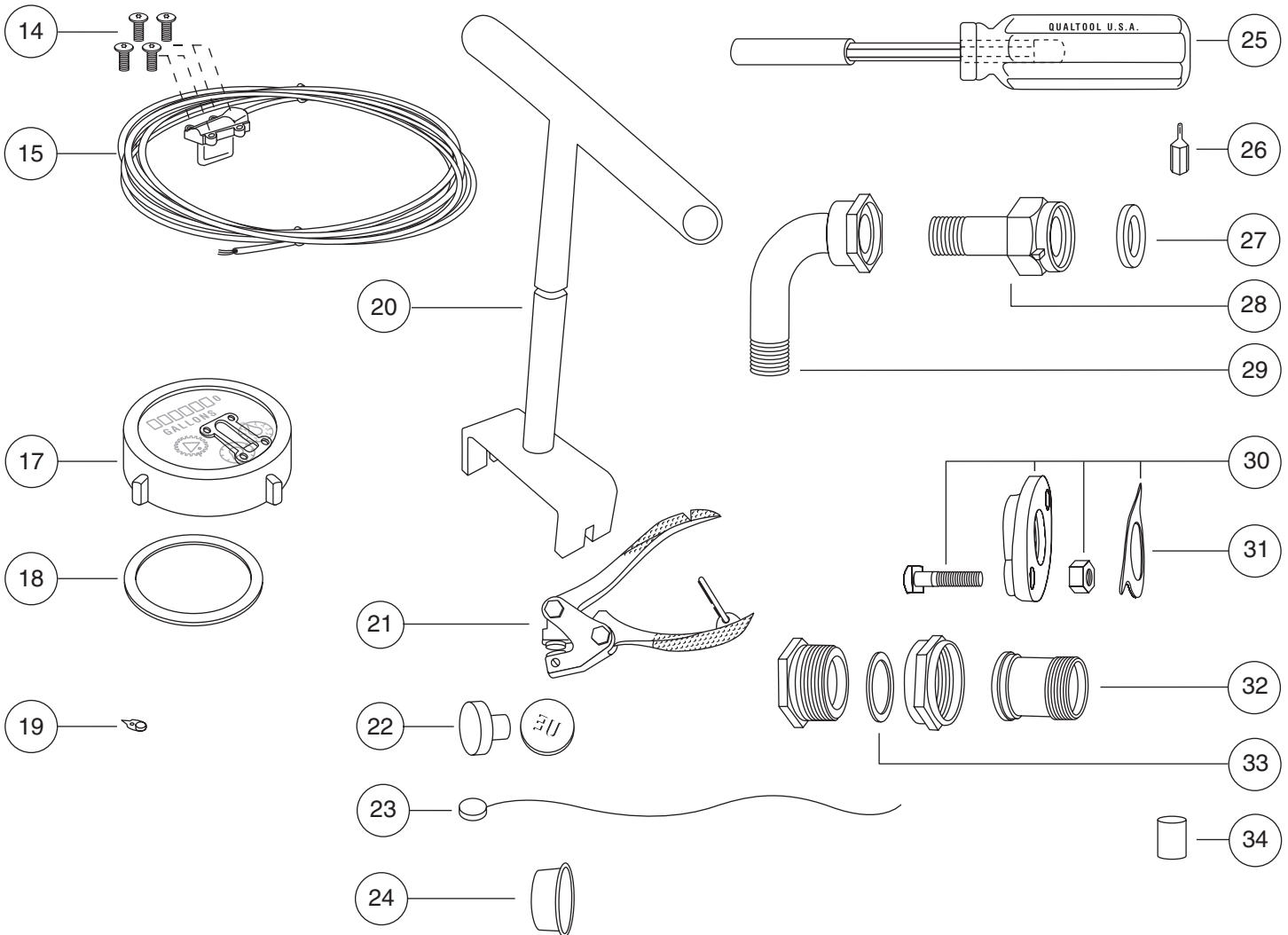
Remote Capable Register (RCR)

ILL. No.	Name of Part
14	Star Screws, Stainless Steel for attaching Reed Switch ①
15	PMX Bi-Directional Reed Switch
16	Seal, O-Ring for Reed Switch
17	Lens with Knurled Nuts
18	Top Seal
19	Remote Pointer

- ① Need Special Tool (not supplied) see illustration Number 26.
- ② Specify connection gasket size by letter designation:
A. 5/8"; B. 3/4"; C. 1" (standard gasket material is Leather; specify if other material required).
- ③ Specify connection swivel size by letter designation:
A. 5/8" spud to 1/2" pipe; B. 3/4" spud to 3/4"; C. 1" spud to 1" pipe.

Accessory Equipment

ILL. No.	Name of Part
20	Ring Removal Wrench (specify size)
21	Sealing Tool
22	Sealing Tool Die
23	Seal Wire with Lead End 7" Quantity 100
24	Thread Protectors External Only (specify size)
25	Driver for Star Screws
26	Star Screw Driver Head (see part 14)
27	Connection Gasket – Rubber ②
28	Connection – Straight 1/2 set ③
29	Connection – Bent 1/2 set ③
30	Companion Flange – Bronze 1/2 set
31	Companion Flange Gasket – Rubber
32	Connection – Straight 1/2 set (Internal)
33	Connection Gasket – Rubber
34	Security Locking Screw Socket



PMX® Water Meters

Sizes 5/8" through 2"

Warranty:

Sensus warrants its products only against defects in materials and workmanship. Sensus' liability and customer's exclusive remedy under this warranty or any warranty extends for a period of one (1) year from the date of Sensus' shipment and is expressly limited to repayment of the purchase price, repair or replacement, at Sensus' option, during said period, upon proof satisfactory to Sensus and upon customer's returning and prepaying all charges on such products to factory or warehouse designated by Sensus.

THIS WARRANTY IS MADE EXPRESSLY IN LIEU OF ALL OTHER WARRANTIES; EXPRESS, IMPLIED, OR STATUTORY, WITH RESPECT TO QUALITY, MERCHANTABILITY, OR FITNESS FOR A PARTICULAR PURPOSE.

Notes:

Prices F.O.B. Factory – subject to change without notice and such discounts as market conditions allow. Refer to MMP Provisions on MJ-299.

AUTHORIZED SENSUS DISTRIBUTOR



P.O. Box 487 • 450 N. Gallatin Avenue
Uniontown, PA 15401
1-800-METER-IT • 1-800-638-3748

Fax: Direct to Factory
Local: 724-439-7729 • Toll Free: 1-800-888-2403

www.sensus.com (select "North America Water")

Email: h2oinfo@sensus.com