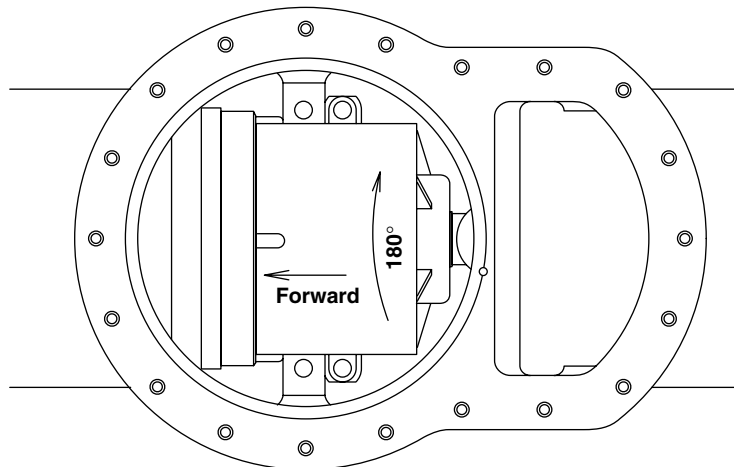
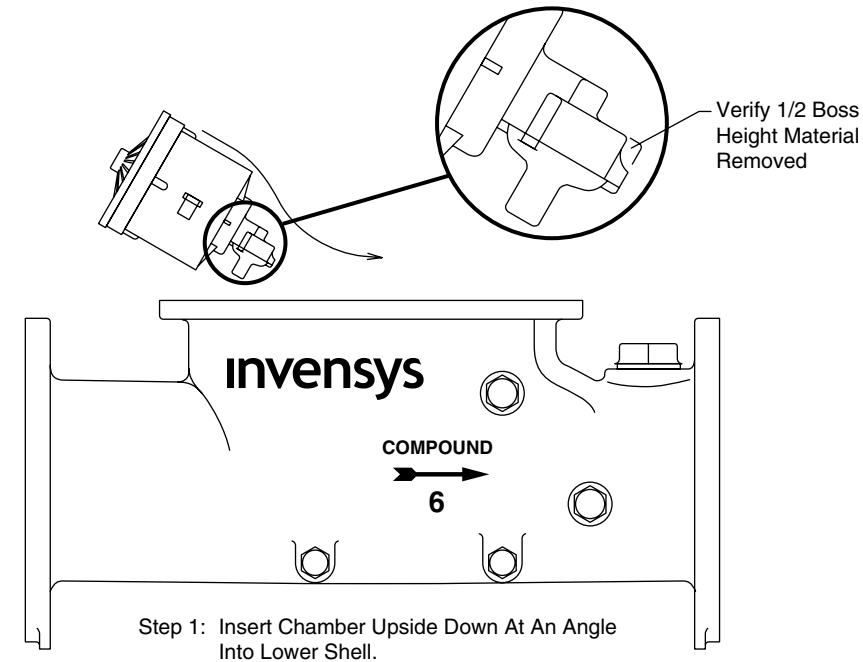




## INSTALLATION INSTRUCTIONS

6" Rocksyn Current Chamber  
P/N 573-18-210-39001, 2 & 3

**Note:** On Some Older Style 6" SRH (Prior to s/n 1260354) and 6" SRM SB DT Lower Shells, The Installation of The New Plastic Current Chamber Assembly Requires The Following Procedure.



Step 2: Once In Horizontal Plane, Rotate 180° And Move Forward Into Position. Install Retaining Bolts.



Invensys Metering Systems  
P.O. Box 487  
450 N. Gallatin Avenue  
Uniontown, PA 15401

1-800-METER-IT  
1-800-638-3748

FAX (Direct to Factory)  
Local: (724) 439-7729  
Toll Free: 1-800-888-2403

Web site: [www.ims.invensys.com](http://www.ims.invensys.com)  
select *North American Water*  
Email: [h2oinfo@invensys.com](mailto:h2oinfo@invensys.com)

AUTHORIZED INVENSYS DISTRIBUTOR